



Embrace life.

healthcraftproducts.com



Contact Valuemed to order
www.valuemed.ca | sales@valuemed.ca



SuperPole	2
SuperBar	3
SuperTrapeze	4
SuperPole Installation Accessories	5
Smart-Rail	6
e2 Ceiling Mount Trapeze	7
Assista-Rail	8
PT Rail Angled	9
Advantage Rail	10
Advantage Pole	11
Dependa-Bar	12
L-Shaped Grab Bar	13
Easy Mount Grab Bars	14
120° Grab Bar	15
Shower Stool	16
Tub Rail	17
PT Rail	18
PT Rail Add-ons and Installation Accessories	20
SuperPole FRS	21



Available at Valumed Professional Products Ltd.



HEALTHCRAFT PRODUCTS CHANGE THE WAY PEOPLE LIVE THEIR LIVES.
FIND EVERYTHING YOU NEED TO KNOW ABOUT OUR PRODUCTS AND WHY
THEY ARE UNLIKE ANYTHING ELSE IN THE HOME SAFETY INDUSTRY.



Delivering
Better Value

www.valuemed.ca | sales@valuemed.ca



SUPERPOLE

When it comes to innovative and adaptable home safety products that can be used anywhere in the house, the SuperPole is the industry leader. The SuperPole is a safety pole that can be easily installed between any floor and ceiling by simply turning a jackscrew. The pressure created by the jackscrew is strong enough to support you, yet it does not typically require drilling holes into the floor or ceiling. This is ideal for relocating or removing the pole. Also, it features a grip that provides comfort and an improved surface to grab onto. All this functionality is contained in a clean, modern design that blends into any room.



SPECS

Floor to Ceiling Range	93-99" / 2362-2515mm
Pole Diameter	1.5" / 38.1mm
Material	Alloy Steel
Finish	Anti-microbial powder coat white (PCW)
Code (Weight Capacity)	SP-S (300lbs/136kgs) <i>SuperPole</i> SP-HD (450lbs/204kgs) <i>SuperPole Bariatric</i> SP-CUT (300lbs/136kgs) <i>SuperPole Custom Cut</i>

Install Yourself

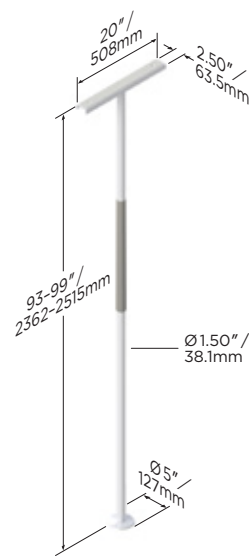
SUPERPOLE ADD-ONS

SuperBar	See page 3
SuperTrapeze	See page 4

SUPERPOLE INSTALLATION ACCESSORIES

Uni-Fit Extender	See page 5
SuperPole Ultra	See page 5
Ceiling Plate Extender	See page 5
Angled Ceiling Plate	See page 5

PRODUCT DIMENSIONS



SUPERBAR

With the simple addition of the SuperBar, the SuperPole transforms into an even more versatile product with both horizontal and vertical support. Additionally, with 8 locking positions around the SuperPole (one every 45 degrees), you can stay closer to your support as you move. Push, pull, or lean on the horizontal SuperBar - it offers support that is tailored to your needs.

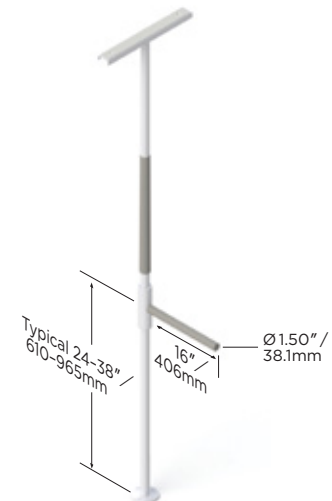


SPECS

Bar Length	16" / 406mm
Bar Diameter	1.50" / 38.1mm
Bar Height on Pole	24-38" / 610-965mm from floor
Bar Locking Positions	8 (every 45 degrees)
Material	Alloy steel
Finish	Anti-microbial powder coat white (PCW)
Code (Weight Capacity)	SPB-S (300lbs / 136kgs) <i>SuperPole with SuperBar</i> SPB-HD (450lbs / 204kgs) <i>SuperPole Bariatric with SuperBar</i> SPB-AK <i>SuperBar Add On Kit</i>



PRODUCT DIMENSIONS



SUPERBAR INSTALLATION ACCESSORIES

Uni-Fit Extender	See page 5
Ceiling Plate Extender	See page 5
Angled Ceiling Plate	See page 5



SUPERTRAPEZE

The SuperTrapeze is an add-on to the SuperPole that increases its functionality to also include in-bed support. While the SuperPole and SuperBar help you get out and move from the bed, the SuperTrapeze assists in one of the most difficult motions — transferring from a lying position to a seated position in bed. It uses two offset rails to allow for improved use of arm strength and increased comfort. Additionally, it can easily be stored out of the way when not being used.



SPECS

Strap Range	3-29" / 76.2-737mm
Support Arm Length	17" / 432mm
Material	Alloy steel
Finish	Anti-microbial powder coat white (PCW)
Code (Weight Capacity)	STP-S (*300lbs/136kgs) <i>SuperPole with SuperTrapeze</i> STP-AK <i>SuperTrapeze Add On Kit</i>

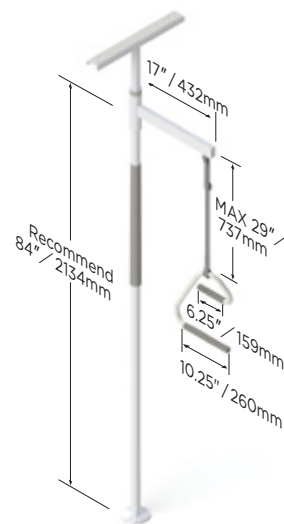
Install Yourself

* 300lbs/136kgs applies to the SuperPole. No more than 150lbs/68kgs should be exerted on the trapeze system.

SUPERTRAPEZE INSTALLATION ACCESSORIES

Ceiling Plate Extender	See page 5
e2 Ceiling Mount Trapeze	See page 7

PRODUCT DIMENSIONS



UNI-FIT EXTENDER

Increases SuperPole floor to ceiling range from 93-99" to 99-120" / 2362-2515mm to 2515-3048mm.

Weight Capacity 300lbs/136kgs

Code SP-UF

* Not to be used with SuperTrapeze, SuperPole HD, or SuperPole Ultra.

Install Yourself



SUPERPOLE ULTRA

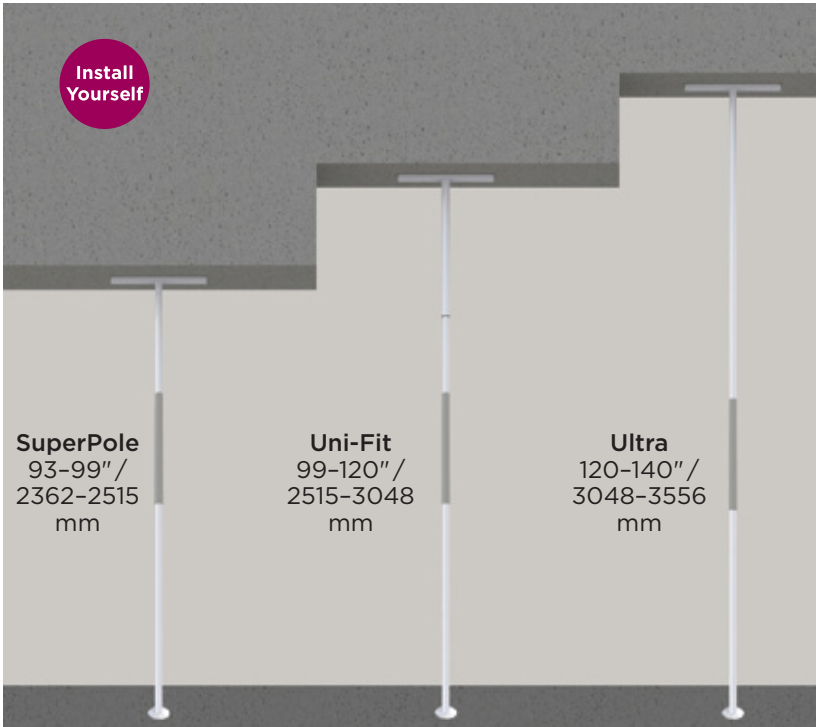
A longer version of the SuperPole with a floor to ceiling range from 120-140" / 3048-3556mm.

Weight Capacity 300lbs/136kgs

Code SP-ULTRA

* Not to be used with SuperBar, SuperTrapeze, Uni-Fit Extender, and Angled Ceiling Plate.

Install Yourself



SuperPole
93-99" /
2362-2515
mm

Uni-Fit
99-120" /
2515-3048
mm

Ultra
120-140" /
3048-3556
mm

CEILING PLATE EXTENDER

Allows standard ceiling plate 20" / 508mm length to span 30" / 762mm with holes for ceiling attachment to 24" / 610mm ceiling beam centers.

Code SP-CPE

Install Yourself



ANGLED CEILING PLATE

Installs to ceilings angled between 0-45 degrees. Plate diameter is 18" / 457mm.

Code SP-ACP (300lbs/136kgs)
(Weight Capacity) SuperPole with Angled Ceiling Plate
SP-ACP-AK
Angled Ceiling Plate Add-On Kit

* Not to be used with SuperTrapeze, SuperPole HD, or Ceiling Plate Extender.

Install Yourself



SMART-RAIL

Sitting up and transferring out of bed is made easier with the innovative Smart-Rail. Unlike other bed rails, the Smart-Rail has two positions: closed and open. In the closed position (parallel to the side of the bed), the rail provides support for making adjustments while in bed. In the open position, the rail pivots out from the bed and touches down to the ground to assist movement to a standing position. The Smart-Rail is also easily installed between your mattress and box spring.

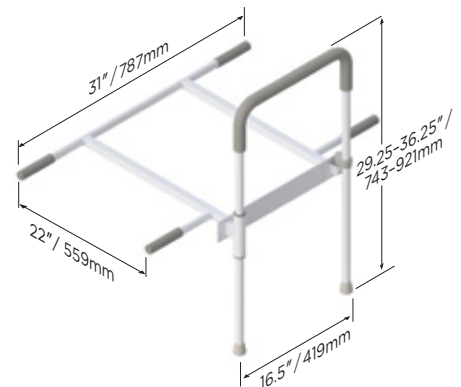


SPECS

Rail (grip) Diameter	1.50" / 38.1mm
Rail Width	16.5" / 419mm
Rail Height Range	29.25-36.25" / 743-921mm
Material	Alloy steel
Finish	Anti-microbial powder coat white (PCW)
Weight Capacity	300lbs/136kgs
Code	SRS-S <i>Smart-Rail</i> SRS-4PK <i>Smart-Rail</i> 4 Case Pack

Install Yourself

PRODUCT DIMENSIONS



e2 CEILING MOUNT TRAPEZE

For those who need help sitting up in bed but don't have the room for a SuperPole, there's the e2 Ceiling Mounted Trapeze. Like the SuperTrapeze, it assists you in moving from a lying position to a seated position in bed by using two offset rails. However, instead of attaching to the SuperPole, the e2 Trapeze hangs from a ceiling mounted grab bar. This means it can easily be slid to one side of the bed or removed and stored out of the way when not in use.

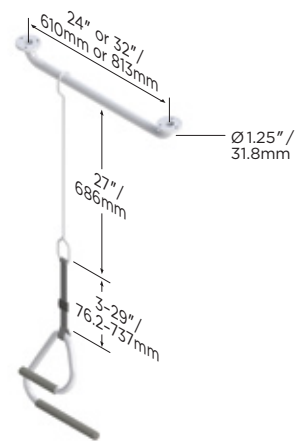


SPECS

Ceiling Bar Length	24" or 32" / 610mm or 813mm
Hook Length	27" / 686mm
Strap Range	3-29" / 76.2-737mm
Material	Alloy steel
Finish	Anti-microbial powder coat white (PCW)
Code (Weight Capacity)	STP-CM-24 (300lbs/136kgs) <i>e2 Ceiling Mount Trapeze with 24" ceiling bar</i> STP-CM-32 (300lbs/136kgs) <i>e2 Ceiling Mount Trapeze with 32" ceiling bar</i>

Contractor Recommended

PRODUCT DIMENSIONS



* 300lbs/136kgs applies to the grab bars. No more than 150lbs/68kgs should be exerted on the trapeze system.

ASSISTA-RAIL

For in-bed support that's secure and easy to install, nothing compares to the Assista-Rail. Simply install it between your mattress and box spring, and secure in place with safety strap. Rail is height adjustable to accommodate various mattress thicknesses. Includes a convenient bed organizer that keeps your belongings in reach, right beside you.

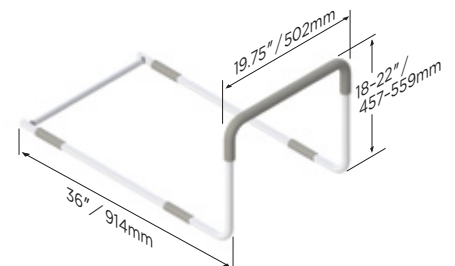


SPECS

Rail (grip) Diameter	1.50" / 38.1mm
Rail Width	19.75" / 502mm
Rail Height Range	18-22" / 457-559mm
Material	Alloy steel
Finish	Anti-microbial powder coat white (PCW)
Weight Capacity	300lbs / 136kgs
Code	AST-S <i>Assista-Rail</i> AST-4PK <i>Assista-Rail 4 Case Pack</i>

Install Yourself

PRODUCT DIMENSIONS



PT RAIL ANGLED

We created the PT Rail Angled for additional support when going up and down two or three stairs. Like the PT Rail, it mounts to the wall and can be lifted out of the way when not in use. However, it can be adjusted between 0 and 30 degrees to suit the angle of the stairs it's mounted beside.

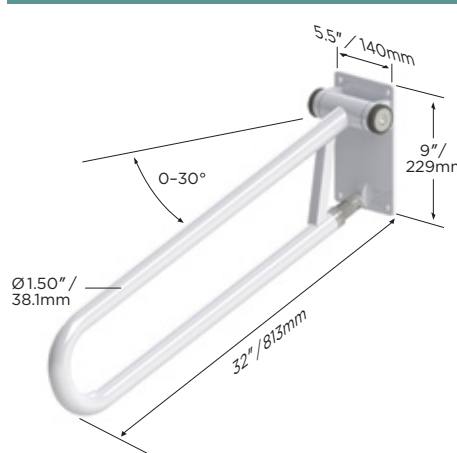


SPECS

Rail Length	32" / 813mm
Rail Diameter	1.50" / 38.1mm
Rail Angle Range	0-30 degrees
Material	Alloy steel
Finish	Anti-microbial powder coat white (PCW)
Weight Capacity	400lbs / 181kgs
Code	PT-ANG-32-PCW <i>PT Rail Angled</i>

Contractor Recommended

PRODUCT DIMENSIONS



INSTALLATION OPTIONS

PT Mast	See page 20
Wall Plate	See page 20

ADVANTAGE RAIL

The Advantage Rail is a floor mounted support rail that features our innovative pivot and lock technology for improved versatility and stability. Featuring 8 different locking positions (one at every 45 degrees), the Advantage Rail is the perfect solution for getting where you need to go in rooms that will not accommodate a floor to ceiling support pole.



SPECS — ADVANTAGE RAIL

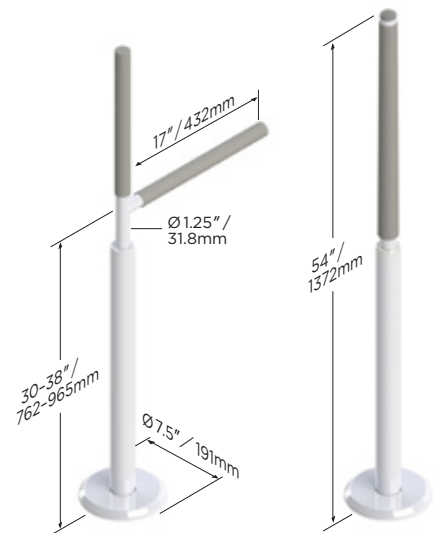
Rail Diameter	1.50" / 38.1mm
Rail Height Range	30-38" / 762-965mm
Rail Length	17" / 432mm
Rail Locking Positions	8 (every 45 degrees)
Material	Alloy Steel
Finish	Anti-microbial powder coat white (PCW)
Code (Weight Capacity)	AR-T (300lbs/136kgs) <i>Advantage Rail</i> AR-T-HD (450lbs/204kgs) <i>Advantage Rail Bariatric</i>

Contractor Recommended

SPECS — ADVANTAGE POLE

Pole Diameter	1.50" / 38.1mm
Height	54" / 1372mm
Code (Weight Capacity)	AR-AP-HD (450lbs) <i>Advantage Pole</i>

PRODUCT DIMENSIONS



ADVANTAGE POLE

If you do not require the pivot and lock action of the Advantage Rail, but can benefit from a floor mounted support pole, the Advantage Pole is ideal for you. It has a clean and modern design that compliments any décor and is ideal for rooms that will not accommodate a floor to ceiling support pole.



ADVANTAGE RAIL/POLE INSTALLATION OPTIONS

ADVANTAGE RAIL/POLE PORTABLE

Each portable model secures and releases from a low profile floor mounted plate. Simply remove rail/pole when it is not needed.

Install additional floor plates to use rail/pole in multiple locations.

SPECS

Code	AR-PT (300lbs/136kgs) <i>Advantage Rail Portable</i>
	AR-PT-HD (450lbs/204kgs) <i>Advantage Rail Bariatric Portable</i>
	AR-AP-P-HD (450lbs/204kgs) <i>Advantage Rail Portable</i>
	AR-FP <i>Floor Plate</i>

**Contractor
Recommended**



DEPENDA-BAR

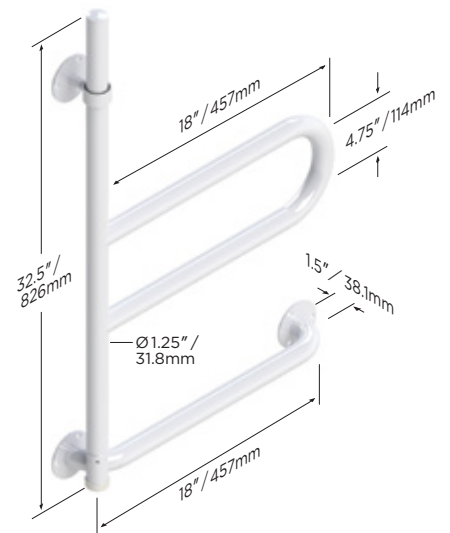
The Dependa-Bar offers an unparalleled range of bathtub and shower support. Along with providing traditional grab bar support, the Dependa-Bar features our pivot and lock technology allowing for 5 different positions (one every 45 degrees). This means the Dependa-Bar is where you need it when bathing or showering, and can be locked out of the way against the wall when not being used.



SPECS	
Rail Diameter	1.25" / 31.8mm
Pivot Rail Length	18" / 457mm
Pivot Rail Locking Positions	5 (every 45 degrees)
Fixed Grab Bar Length	18" / 457mm
Material	Stainless Steel
Weight Capacity	325lbs / 147kgs
Finishes	Anti-microbial powder coat white (PCW) Knurled (SK)
Code	DB-18-PCW <i>Dependa-Bar</i> (white) DB-18-SK <i>Dependa-Bar</i> (knurled)

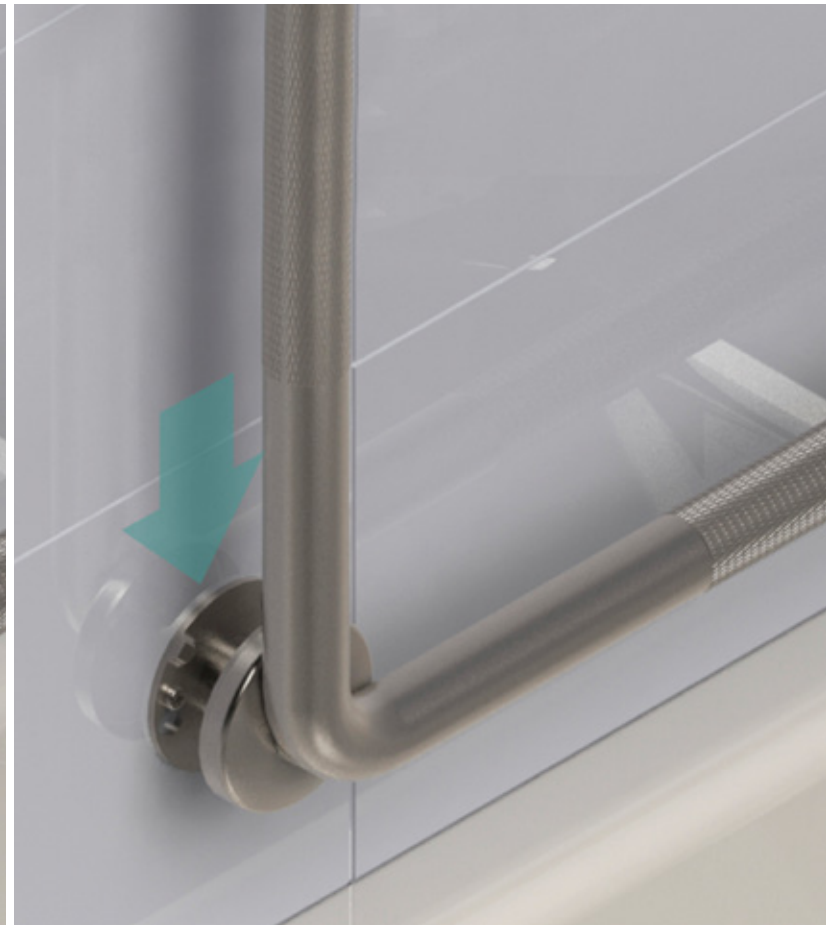
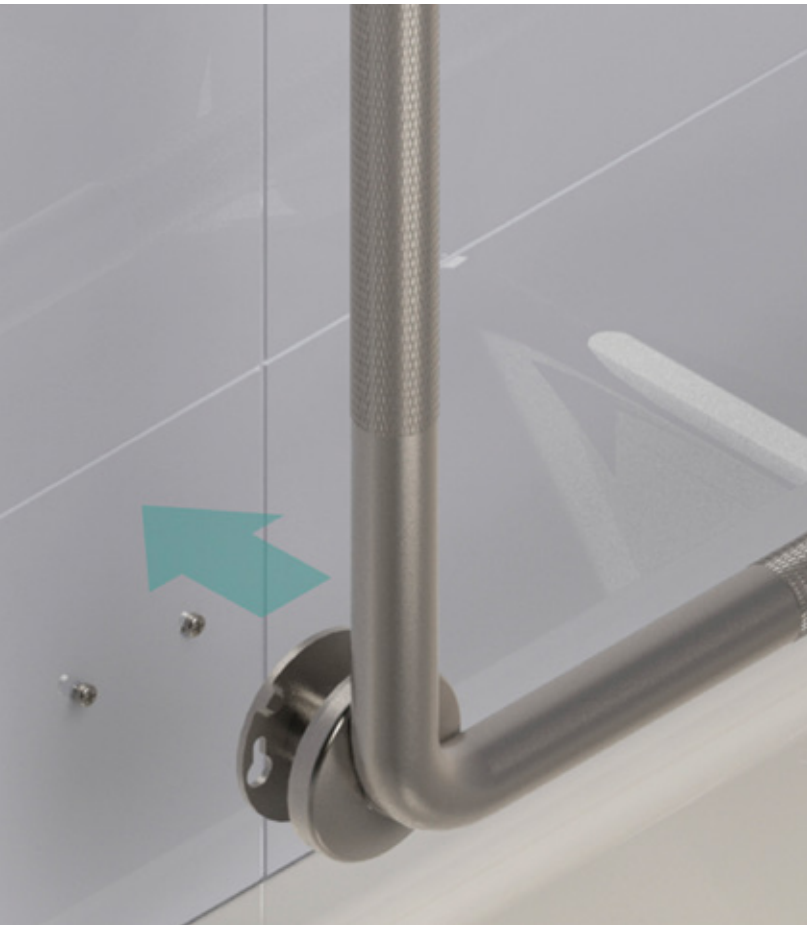
Contractor Recommended

PRODUCT DIMENSIONS

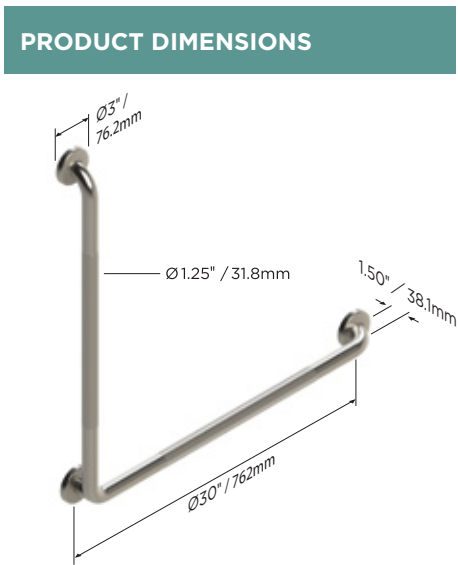


L-SHAPED GRAB BAR

Support to assist you in the bathroom. Middle flange is located on the 90 degree bend of the rail, so it is ambidextrous for either left or right side. Outside flanges feature Easy Mount 9-hole flanges, which means greater versatility during installation. Flange covers conceal the screws.



SPECS	
Angle	90 degrees
Rail Diameter	1.25" / 31.8mm (ADA Compliant)
Wall Clearance	1.50" / 38.1mm (ADA Compliant)
Material	Stainless Steel
Finish	Knurled
Length	30x30" / 762x762cm
Weight Capacity	500lbs / 227kgs
Code	G125SK30X30F9 <i>L-Shaped Grab Bar</i> G125SK30X30F9-4PK <i>L-Shaped Grab Bar</i> 4 Case Pack



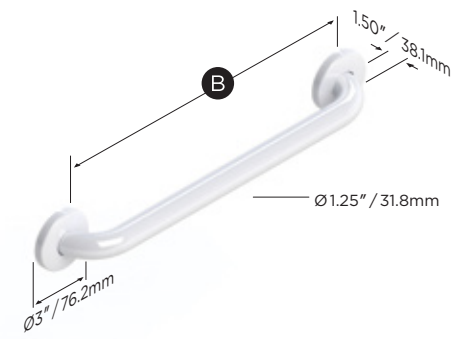
EASY MOUNT GRAB BARS

Easy Mount Grab Bars provide secure support to assist you in any room in your house. While other bars have standard three hole flanges, the Easy Mount Grab Bar has nine holes, which means greater versatility during installation. The extra holes provide mounting options for angled grab bar installations, and for areas where stud spacing may vary from 16" centers. It is easy to add an additional mounting screw for peace of mind. Flange covers conceal the screws for a simple and modern finish.



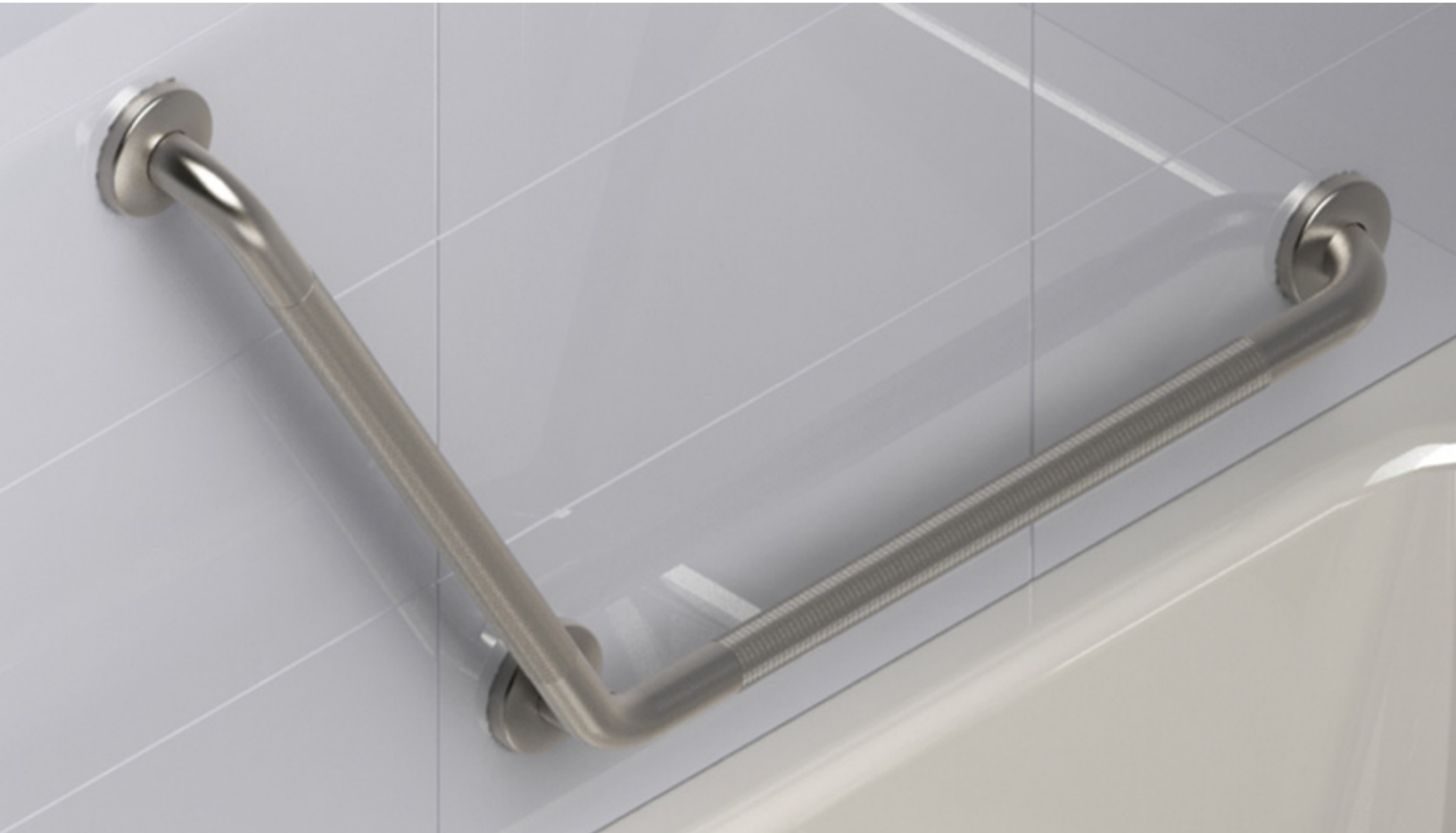
SPECS	
Rail Diameter	1.25" / 31.8mm (ADA Compliant)
Wall Clearance	1.50" / 38.1mm (ADA Compliant)
Material	Stainless Steel
A. Finish	Smooth White (SW), Knurled (SK) or Polished Chrome (CP) Contractor Recommended
B. Length	12" / 305mm (12), 18" / 457mm (18), 24" / 610mm (24) 32" / 813mm (32), 36" / 914mm (36), 42" / 1067 (42)
C. Pack	Single or 10 Pack (10PK)
Weight Capacity	500lbs/227kgs (12, 18, 24) 400lbs/181kgs (32, 36, 42)
Code	G125ABF9-C

PRODUCT DIMENSIONS



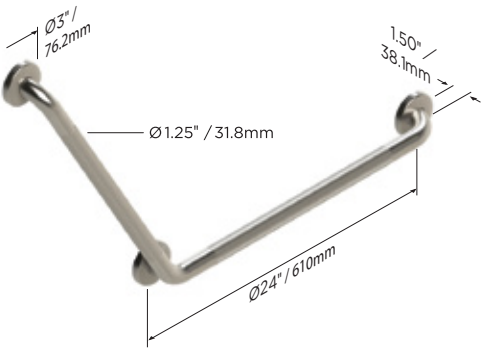
120° GRAB BAR

Commercial grade quality for facility or residential use. Provide strength and security for shower and bathroom safety. Stainless steel construction ensures low effort maintenance. Outside flanges feature Easy Mount 9-hole flanges, which means greater versatility during installation. Flange covers conceal the screws.



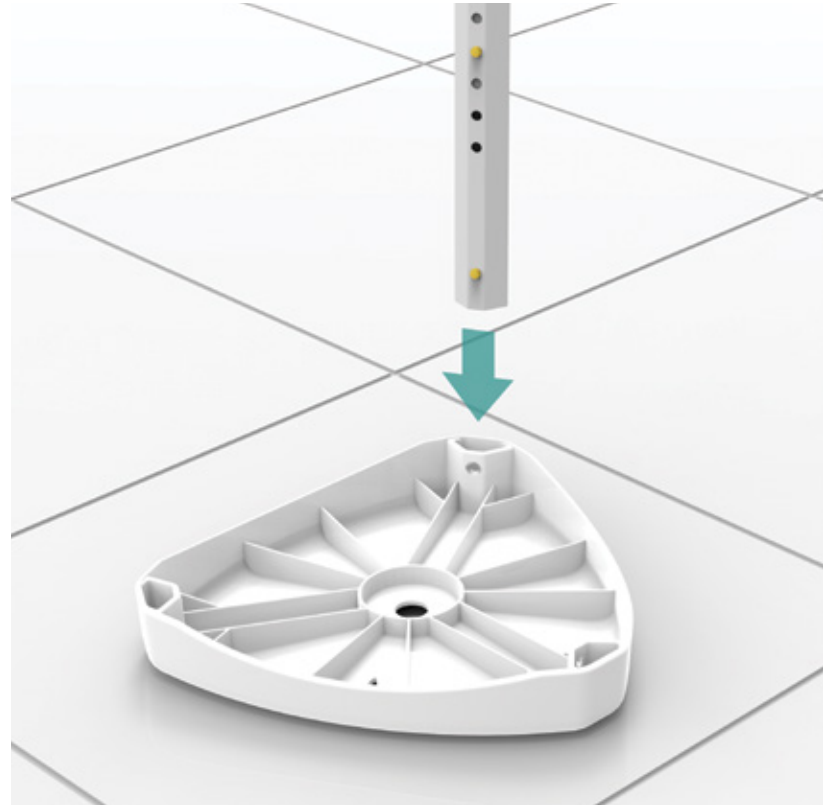
SPECS	
Angle	120 degrees
Rail Diameter	1.25" / 31.8mm (ADA Compliant)
Wall Clearance	1.50" / 38.1mm (ADA Compliant)
Material	Stainless Steel
Finish	Knurled
Length	24x24" / 610x610cm
Weight Capacity	500lbs / 227kgs
Code	G125SK24X24F9 120 Grab Bar G125SK24X24F9-4PK 120 Grab Bar 4 Case Pack

PRODUCT DIMENSIONS



SHOWER STOOL

The perfect place to sit safely and comfortably in the shower. Lightweight, solid and secure, our Shower Stool assembles in minutes with no tools required. The seat is height adjustable, and the aluminum legs will never rust. Featuring drainage holes, cleaning the seat is easy and the rubber feet are non-marking.



SPECS	
Seat Height	16.75-23" / 425-584mm
Seat	14.25" / 362mm
Seat Material	ABS Plastic
Leg Material	Anodized Aluminum
Weight Capacity	300lbs/136kgs
Code	SST-S <i>Shower Stool</i> SST-S-4PK <i>Shower Stool 4 Case Pack</i>

Install Yourself

PRODUCT DIMENSIONS



TUB RAIL

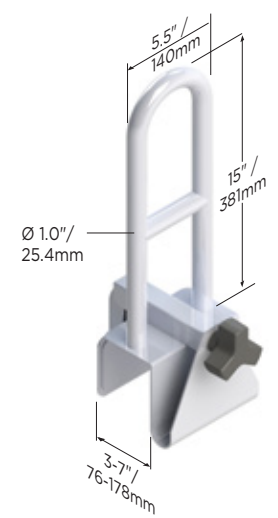
Provide safety while entering and exiting the bathtub. Designed to fit a variety of tub widths, the Easy Mount Tub-Rail installs easily and securely with no tools required. The 15" handle has gripping surfaces at two different heights for comfort. Powder coat over steel provides a strong and rust resistant gripping surface.



SPECS	
Rail Height	15" / 381mm
Rail Width	5.5" / 140mm
Rail Diameter	1.0" / 25.4mm
Fits Tub Threshold	3-7" / 76-178mm
Material	Steel
Finish	White
Weight Capacity	300lbs / 136kgs
Code	TBR-S Tub Rail TBR-S-4PK Tub Rail 4 Case Pack

Install Yourself

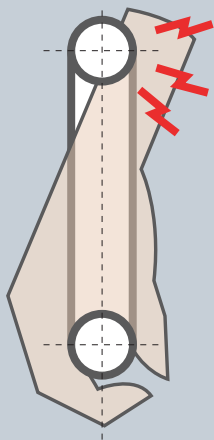
PRODUCT DIMENSIONS



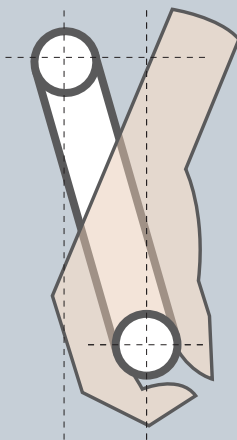
PT RAIL

Mobility around the toilet is made much easier and more secure with the PT Rail. It provides sturdy support featuring offset rails to help reduce wrist strain (when gripping the lower rail). Additionally, when not in use, you can lift the PT Rail up and store it flush against your bathroom walls.

STANDARD DUAL RAIL



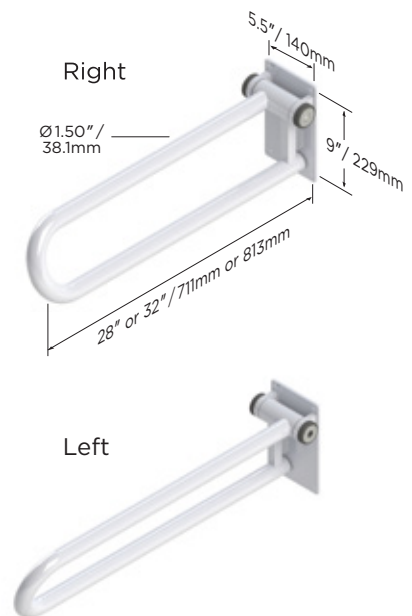
OFFSET P.T. RAIL



SPECS

Rail Diameter	1.50" / 38.1mm	Contractor Recommended
Weight Capacity	400lbs/181kgs	
A. Rail Length	28" / 711mm (28) or 32" / 813mm (32)	
B. Side	Left (L) or Right (R)	
C. Finish/Material	Anti-microbial powder coat white on Alloy Steel (PCW) Brushed Pattern on Stainless Steel (SS)	
Code	PT-WRAB-C Example: PT-WR 28L-PCW	

PRODUCT DIMENSIONS





PT RAIL FLOOR MAST

If fastening to the wall isn't an option, a Floor Mast can provide an alternative mounting structure to install a PT Rail. The rail is height adjustable on the mast.

SPECS

Mast Height	39" / 991mm
Base Plate	4x6" / 102x152mm
Clamp Plate	5.5x9" / 140x229mm
Weight Capacity	400lbs / 181kgs
A. Finish/Material	Anti-microbial powder coat white on Alloy Steel (PCW) Brushed Pattern on Stainless Steel (SS)
Code	PT-WRM-A Example: PT-WRM-PCW

Contractor Recommended

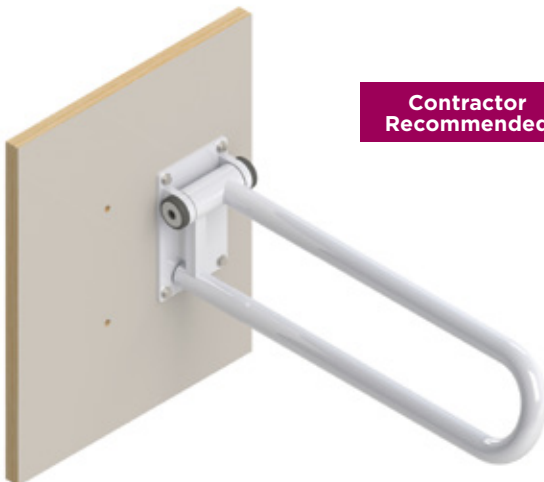


WALL PLATE

A high quality Baltic 11-ply wood construction that allows the installation of the PT Rail without having to open walls and create structural reinforcement.

Weight Capacity	400lbs / 181kgs
Code	PT-WP-WD <i>Wood Wall Plate for PT Rail</i>

Contractor Recommended



TOILET ROLL HOLDER

Add to any PT Rail to minimize reaching and twisting for toilet paper.

Code	PT-TRH <i>Toilet Roll Holder</i>
------	-------------------------------------

Install Yourself



SUPERPOLE FRS

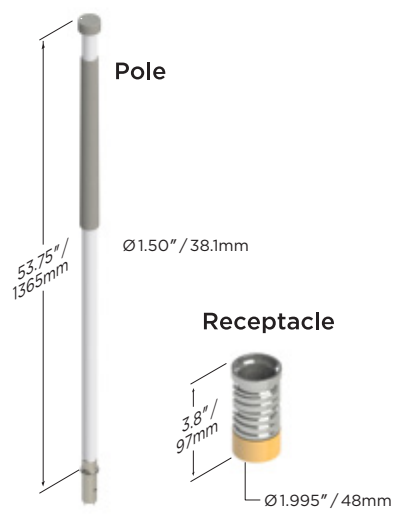
The SuperPole FRS is a floor mounted support pole that's specially made for care facilities. A floor receptacle is permanently installed into the concrete, flush with the floor surface to reduce trip hazards. When not in use, the receptacle is sealed with a liquid tight cap. When support is needed, the cap is easily removed and the pole can be installed into the receptacle. The SuperPole FRS makes adapting to the needs of different clients in a care facility easier than ever.



SPECS	
Pole Diameter	1.50" / 38.1mm
Pole Height (Installed)	53.75" / 1365mm
Floor Receptacle	3.8" x 1.9" diameter / 97mm x 48mm diameter
Concrete Slab Min Depth	6" / 152mm
Material	Alloy steel
Finish	Anti-microbial powder coat white (PCW)
Weight Capacity	450lbs / 204kgs
Code	FRS-P <i>SuperPole FRS</i> — Pole only FRS-FR <i>SuperPole FRS</i> — Receptacle only

Contractor Recommended

PRODUCT DIMENSIONS





Contact Valuemed to order
www.valuemed.ca | sales@valuemed.ca

