



COMMODES

Hospital

Contact us before you plan Capital Budget spending. Waste management is one of our core competencies

1-800-363-2381 www.medprodefense.com

A.M.G. Medical's Institutional Commode Fleet

- Built with infection control protocols in mind and strong enough for rigorous hospital use
- Parts available in Canada from A.M.G. Medical, your trusted waste management and infection control partner
- All Medpro Defense commodes are compatible with the Zorbi System

AquaCare Commode

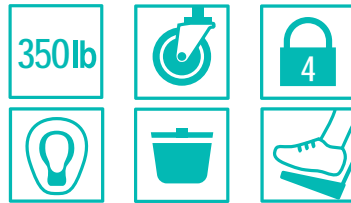
770-300



Combines 3 products in 1! Can be used as a commode, a shower chair or over a toilet.

Infection control

Smooth design and removable water-resistant seat, armrests, seat cushion, backrest and footrest; efficient cleaning and infection control friendly.



Patient's comfort

- Water-resistant, rubberized foam seat cushion and backrest.
- Extra-long seat opening.
- Soft plastic armrests.
- Durable plastic footrest.



Weight	Clearance (W/O Pail)	Seat to Floor Height	Overall Height	Seat to Arm Height	Seat Depth	Seat Width	Width Between Arm	Weight Capacity
38.4 lb 17.4 kg	18" 46 cm	Fixed 20.8" 53 cm	30.5" 98 cm	9.5" 24 cm	18.5" 47 cm	18.5" 47 cm	17.7" 45 cm	350 lb 158 kg

Clinell® commode

770-302



This ultra-hygenic commode comes with only 10 pieces which quickly and easily assemble onto the no-rust, stainless steel frame. Macerator-compatible.

Ultra-hygenic

- No screws, nuts, bolts or stitching. Simple, smooth molded design means less places for dirt and germs to accumulate.
- Accommodates standard & pulp bedpan.



Multi-functional

Suitable for both pulp and plastic bedpans. Can also be used as a shower chair or over a toilet.

Superior Safety

Wheels with patented EasyMove™ and TotalStop™ design. Hinged armrests enables easy patient transferring and support handling.



Weight	Clearance (W/O Pail)	Seat to Floor Height	Overall Height	Seat to Arm Height	Seat Depth	Seat Width	Width Between Arm	Weight Capacity
27.2 lb 12.3 kg	20" 51 cm	Fixed 20.6" 52.5 cm	42" 106.5 cm	10.6" 27 cm	18.5" 47 cm	18.9" 48 cm	18.9" 48 cm	419 lb 190 kg



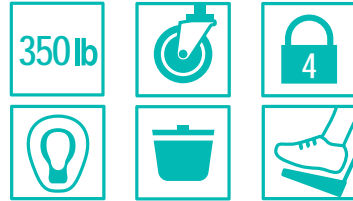
euro Commode

770-365 / 770-375

This multifunctional commode comes with 4 locking casters and padded armrests, making it an ideal choice for institutional users.

Easy to use

The padded drop-down or lift-up armrests facilitate patient transfer.



Superior Safety & Comfort

Four locking casters firmly hold the commode in place. Supportive vinyl backrest, padded armrests, seat cushioning and swing-away footrests increase comfort.

ZORBI COMPATIBLE

Drop-down armrest 770-365

Weight	Clearance (W/O Pail)	Seat to Floor Height	Overall Height	Seat to Arm Height	Seat Depth	Seat Width	Width Between Arm	Weight Capacity
28.7 lb 13 kg	17.3" 44 cm	Fixed 20.5" 52 cm	38.25" 97 cm	8.5" 21.5 cm	18" 45.5 cm	18.5" 47 cm	18.3" 46.5 cm	350 lb 158 kg

Lift-up armrest 770-375

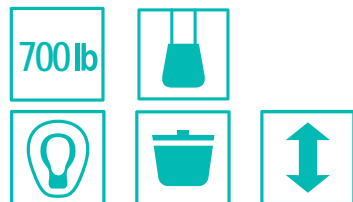
Weight	Clearance (W/O Pail)	Seat to Floor Height	Overall Height	Seat to Arm Height	Seat Depth	Seat Width	Width Between Arm	Weight Capacity
28.2 lb 12.8 kg	19.3" 49 cm	Fixed 22.5" 57 cm	40" 102 cm	8.5" 21.5 cm	18" 45.5 cm	18.5" 47 cm	18.3" 46.5 cm	350 lb 158 kg



Bariatric Commode

770-322

Designed to facilitate access from any side while providing safety and support to heavier patients.



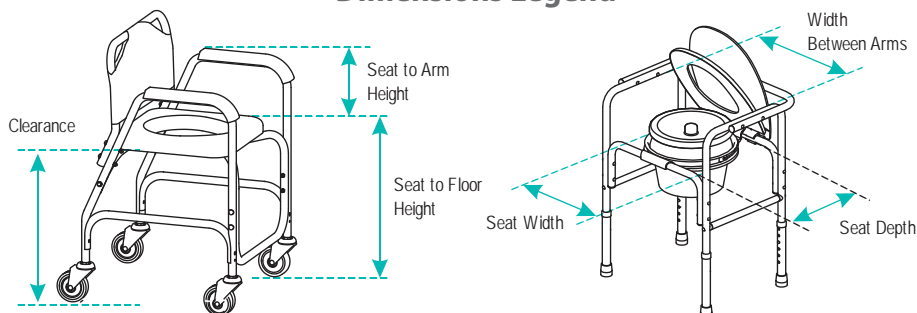
Superior Safety & Comfort

The extra wide frame is made of durable steel. The sturdy arm mechanism snaps into place and disengages easily. The back support can be removed for use in smaller spaces.

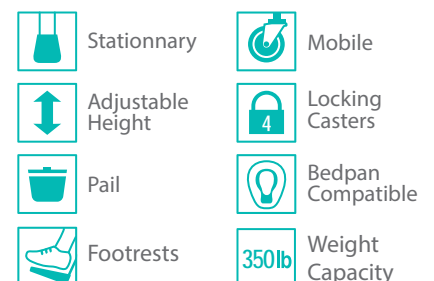
ZORBI COMPATIBLE

Weight	Clearance (W/O Pail)	Seat to Floor Height	Overall Height	Seat to Arm Height	Seat Depth	Seat Width	Width Between Arm	Weight Capacity
21.6 lb 9.8 kg	15.9 - 19.9" 40.5 - 50.5 cm	19.3 - 23.2" 49-59 cm	27.2 - 31.1" 69 - 79 cm	7.5" 19 cm	18.1" 46 cm	23.4" 59.5 cm	25.2" 64 cm	700 lb 317.5 kg

Dimensions Legend



Icon Legend



ZORBI™

No Mess. No Odour. / Pas de gâchis. Pas d'odeur.

Our commodes are all compatible with the Zorbi System!

764-104
Zorbi Biodegradable Bedpan liner



764-108
Zorbi Biodegradable
Bariatric liner

**Super Absorbent
Pad Inside**



Makes cleaning fast and easy.

- Completely covers bedpans, commode seat or pail
- Helps reduce odor
- Used in hospitals across Canada

1 Preparation



Bedpan or pail



Commode or toilet seat

2 Use



Wait 30 seconds after the bag or liner was used.

3 Close



4 Dispose



Ask for a demonstration of how our commodes work with our biodegradable Zorbi Hygienic liners, HealthPro's choice

To order or for more information, contact your Valued representative,