



ALL ABOUT HEALTH

COINFYCARE®

2024 Product Catalogue

Electric Treatment Table Manufacturing Expert



ISO 13485

COINFYCARE®

HUANGSHAN JINFU MEDICAL EQUIPMENT CO.,LTD

Factory:

No.17,Qiliting,Qimen,Huangshan,Anhui province,
245600,China

Office:

Room 201,Building L,Lok Fu Haibang Park,No.1008 Xiangwang
Street,Yuhang District, Hangzhou,Zhejiang Province,China

☎ 86-571-86038705

✉ info@coinfycare.com

🌐 www.coinfycare.com

HUANGSHAN JINFU MEDICAL EQUIPMENT CO.,LTD

About us

Founded in 2009, Jinfu Medical is an Electric medical bed and device manufacturer in tegrating design, production and sales. The company is equipped with a modern production line and has a group of experienced technical personnel. The factory covers an area of 35,000 square meters.

Jinfu Medical mainly produces 4 major categories:

Treatment Tables

Tilt Tables

Chiropractic Tables

Hospital Beds

Jinfu Medical obtained the ISO13485 Medical device-Quality management systems by TUV SUD China. The products have obtained MDR(EU) 2017/745 registration, CE and FDA approval, applied for 2 national invention patents, more than 10 utility model patents, under the unremitting efforts of all employees. In 2012, the company passed the national review and was awarded as high-tech enterprise in Anhui Province. Through continuous market expansion, the company's brand "COINFYCARE" has been well accepted by customers. Products are exported to Europe, the United States, Japan, South Korea, Australia and other 80 countries and regions.

With the acceleration of the Jinfu Medical expansion of the international market, the popularity of COINFYCARE series products has gradually increased, and has been highly praised by domestic and foreign distributors.

COINFYCARE table is helping patients in thousands of clinics, hospitals and a range of Allied Health (Physiotherapy, Examination, Rehabilitation, Chiropractic, Massage) Hospital (GP, Medical Centers, Hospitals, Gynecology) and a range of other medical industries.

The agency area mainly includes the United States, Australia, Europe, Canada, South Africa, Singapore, Malaysia, Thailand, Vietnam, Philippines, India, South Korea, Algeria and the agency area is still expanding. Our mission is focused on healthy products and providing the best service for our customers.

In working with Jinfu Medical, you will receive excellent customer service along with access to innovative solutions, experienced staff and top quality advice which is tailor made to your requirements.



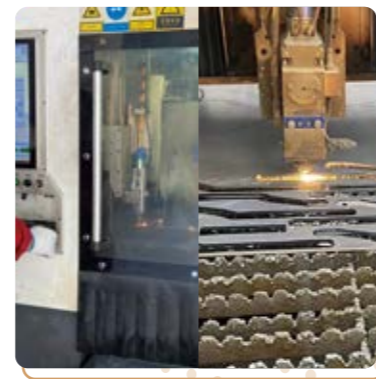
Production Process



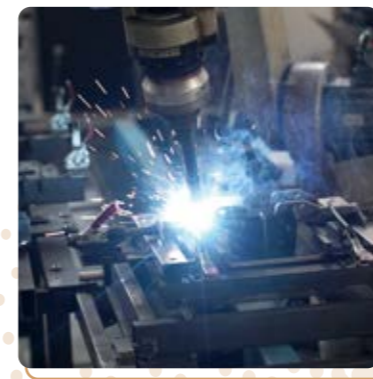
1 Selected quality raw materials



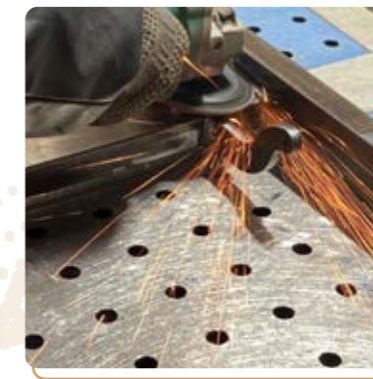
2 Design



3 Cutting



4 Welding



5 Grinding



6 Derusting



12 Delivery



11 Packing&warehousing



10 Inspection



9 Assembly



8 Cushion processing



7 Powder coating



CONTENTS

EL01	Electric Changing Table	-09-	EL3605	Electric Gynecology Table	-34-
EL01H	Hydraulic Examination Table	-10-	EL35B	Electric Blood Chair	-35-
EL11/11AR	Contoured Electric Treatment Table	-11-	ELT300S	Multi-use Imaging Power table	-37-
EL02	Electric Examination Table	-12-	EL02C	Electric Cardiology Table	-39-
EL022	Electric Examination Table	-13-	EL04	Electric Traction Table	-41-
EL02H	Hydraulic Examination Table	-14-	ELT042	Electric Traction Table	-42-
EL03	Electric Treatment Table	-15-	EL12	Electric Hi-Lo & Tilt Table	-45-
EL032	Electric Treatment Table	-16-	EL12C	Electric Child Tilt Table	-46-
EL03H	Hydraulic Treatment Table	-17-	EL12D	Electric Tilt Table	-47-
EL03S	Electric Treatment Table	-18-	EL12M	Electric Dynamic Tilt Table	-48-
EL03E	Equal Electric Treatment Table	-19-	EL07	Chiropractic Manipulation Table	-51-
EL03EM	Equal Electric Treatment Table	-20-	EL07B	Manipulation Chiropractic Table	-53-
EL03EM3	Equal All Electric Treatment Table	-21-	EL08	Base Chiropractic Table	-54-
EL05	Multi-position Electric Treatment Table	-22-	EL08B	Chiropractic Breakaway Table	-55-
EL06	Split-Leg Electric Treatment Table	-23-	ELT08F	Premium Chiropractic Table	-56-
EL10	Multi-position Electric Treatment Table	-24-	Color of Vinyl	-57-	
BT001	Electric Day Spa Table	-25-	Color of Table Frame / Optional Accessories	-58-	
EL01W	Electric Mat Table	-27-	JF-D39	3 Function Hospital Bed	-61-
EL02W	Electric Bobath Table	-28-	JF-D49	5 Function Hospital Bed	-62-
EL35	Electric Podiatry Chair	-31-	JF-D69Z	6 Function Tilting Hospital Bed	-63-
ELT35	All Electric Ophthalmic Chair	-32-	Fixed Examination Table	-68-	
EL3603	Electric Gynecology Table	-33-	Medical Stool	-72-	
			Medical Accessories	-77-	



01

Electric Treatment Table

EL01	Electric Changing Table	-09-
EL01H	Hydraulic Examination Table	-10-
EL11/11AR	Contoured Electric Treatment Table	-11-
EL02	Electric Examination Table	-12-
EL022	Electric Examination Table	-13-
EL02H	Hydraulic Examination Table	-14-
EL03	Electric Treatment Table	-15-
EL032	Electric Treatment Table	-16-
EL03H	Hydraulic Treatment Table	-17-
EL03S	Electric Treatment Table	-18-
EL03E	Equal Electric Treatment Table	-19-
EL03EM	Equal Electric Treatment Table	-20-
EL03EM3	Equal All Electric Treatment Table	-21-
EL05	Multi-position Electric Treatment Table	-22-
EL06	Split-Leg Electric Treatment Table	-23-
EL10	Multi-position Electric Treatment Table	-24-
BT001	Electric Day Spa Table	-25-

EL01

ELECTRIC CHANGING TABLE

CONFYCARE®

This electric changing table is designed specifically for use within hospital and home care for changing disabled people.



EL01H

HYDRAULIC EXAMINATION TABLE

CONFYCARE®

This hydraulic examination table has a hydraulic system for raising and lowering to bring Hi-Lo function, it could be used anywhere without electric power limited. Actually, the hydraulic optional can fit most other items with single motor.



Features

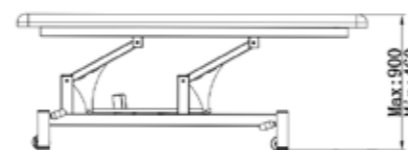


Side rail code: S01



Side rail code: P02

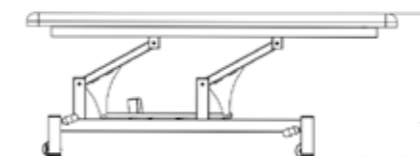
- Electric Hi-Lo operation by foot bar
- Sleek design with rounded frame legs for safety
- Padded side rails (optional design)
- Face hole and plug
- Adjustable feet for uneven surfaces
- 75mm retractable castors for safety and mobility
- Reliable TIMOTION motor
- Height range from 46cm to 90cm in approx 30 seconds
- Padding thickness 5cm
- Foam Density: 36kg/m3
- Warranty: 5 Years Construction, 3 Years Electrics
- Upholstery: Heavy duty PVC vinyl that is fire, stain, mildew, oil, water and wear resistant
- Certification: CE, FDA, ISO 13485:2016
- Weight Capacity: 250KG



Specification

180cm	66cm	46-90cm	5cm	36kg/m3	φ 75mm	57kgs	0.66	185 x 71 x 51cm

Features



Specification

180cm	66cm	53-84cm	5cm	36kg/m3	φ 75mm	60kgs	0.66	185 x 71 x 51cm

EL11

CONTOURED ELECTRIC TREATMENT TABLE

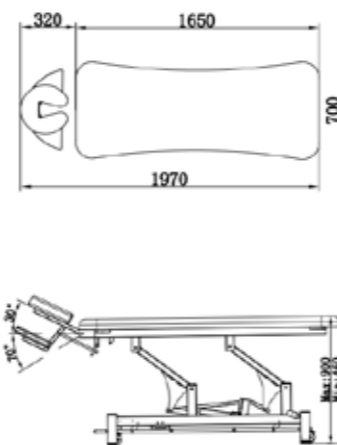
CONFYCARE®

A comfortable and adjustable table with contoured surface to increase patient access. The flexible padded face rest and prone arm rest ensure patient comfort and relaxation during treatment.



Features

- Electric Hi-Lo operation by foot bar
- Sleek design with rounded frame legs for safety
- Comfortable head cushion with optional prone arm rest
- Adjustable feet for uneven surfaces
- 75mm retractable castors for safety and mobility
- Reliable TiMOTION motor
- Height range from 46cm to 90cm in approx 30 seconds
- Padding thickness 5cm
- Foam Density: 36kg/m³
- Upholstery: Heavy duty PVC vinyl that is fire, stain, mildew, oil, water and wear resistant
- Warranty: 5 Years Construction, 3 Years Electrics
- Certification: CE, FDA, ISO 13485:2016
- Weight Capacity: 250KG



Specification

197cm	70cm	46-90cm	-70° to +30°	5cm	φ 75mm	62kgs	0.77	193 x 75 x 54cm

EL02

ELECTRIC EXAMINATION TABLE

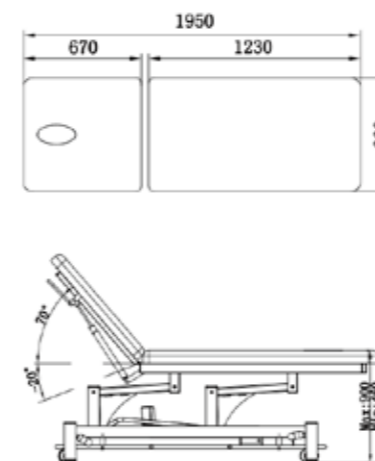
CONFYCARE®

One of our most popular tables. This strong two section table will withstand the rigours of patient treatment whether it is used in a demanding Physiotherapy clinic or a small GP practice you can rest assured it will perform. With a sleek design, great features and a foot switch as standard it is simple to operate straight from the box without any assembly required.



Features

- Electric Hi-Lo operation by foot bar
- Sleek design with rounded frame legs for safety
- Head section has face hole and plug
- Adjustable feet for uneven surfaces
- 75mm retractable castors for safety and mobility
- Reliable TiMOTION motor
- Height range from 46cm to 90cm in approx 30 seconds
- Padding thickness 5cm
- Foam Density: 36kg/m³
- Warranty: 5 Years Construction, 3 Years Electrics
- Upholstery: Heavy duty PVC vinyl that is fire, stain, mildew, oil, water and wear resistant
- Certification: CE, FDA, ISO 13485:2016
- Weight Capacity: 250KG



Specification

195cm	66cm	46-90cm	-20° to +70°	5cm	φ 75mm	60kgs	0.75	199 x 74 x 51cm

EL022

ELECTRIC EXAMINATION TABLE

Two section table with armrest

CONFYCARE®

This table is designed with a multi-position head section for more treatment and examination. This table addresses the requirements of a wide range of manual handling issues to benefit both patient and doctor.



EL02H

HYDRAULIC EXAMINATION TABLE

This two section table has a hydraulic system for raising and lowering to bring Hi-Lo function, it could be used anywhere without electric power limited. Actually, the hydraulic option can fit most other items with single motor.

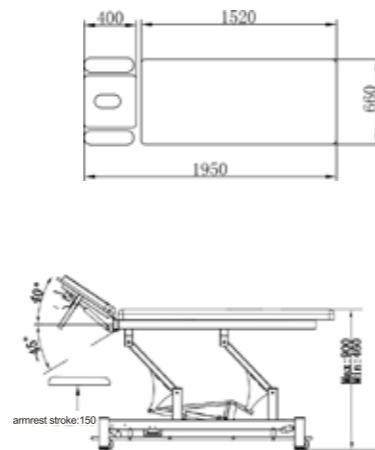
CONFYCARE®



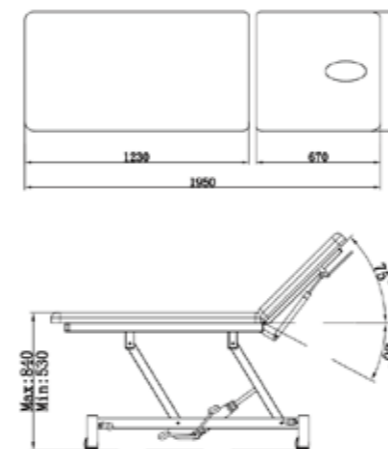
Features



- Electric Hi-Lo operation by foot bar
- Sleek design with rounded frame legs for safety
- Comfortable head cushion with prone arm rest
- Adjustable feet for uneven surfaces
- 75mm retractable castors for safety and mobility
- Reliable TIMOTION motor
- Height range from 46cm to 90cm in approx 30 seconds
- Padding thickness 5cm
- Foam Density: 36kg/m³
- Warranty: 5 Years Construction, 3 Years Electrics
- Upholstery: Heavy duty PVC vinyl that is fire, stain, mildew, oil, water and wear resistant
- Certification: CE, FDA, ISO 13485:2016
- Weight Capacity: 250KG



Features



- Smooth Hi-Lo operation by hydraulic
- Sleek design with rounded frame legs for safety
- Head section has face hole and plug
- Adjustable feet for uneven surfaces
- 75mm retractable castors for safety and mobility
- Height range from 53cm to 84cm
- Padding thickness 5cm
- Foam Density: 36kg/m³
- Warranty: 5 Years Construction, 18 months Hydraulic
- Upholstery: Heavy duty PVC vinyl that is fire, stain, mildew, oil, water and wear resistant
- Certification: CE, FDA, ISO 13485:2016
- Weight Capacity: 250KG

Specification



195cm	66cm	46-90cm	-45° to +40°	5cm	φ 75mm	64kgs	0.72	199 x 70 x 51cm

Specification



195cm	66cm	53-84cm	-20° to +75°	5cm	φ 75mm	65kgs	0.81	199 x 70 x 58cm

EL03

ELECTRIC TREATMENT TABLE

CONFYCARE®



The preferred choice of physiotherapists. This short head table provides a strong platform for treatments. With a gas strut supported head and backrest coupled with a smooth hi-lo operation this table represents great value.



video

EL032

ELECTRIC TREATMENT TABLE

CONFYCARE®



A popular selection for physiotherapists. This table offers strong smooth electric hi-lo operation through foot switch along with a generous range of motion for the head & backrest. This table will allow correct patient positioning while reducing practitioner strain.

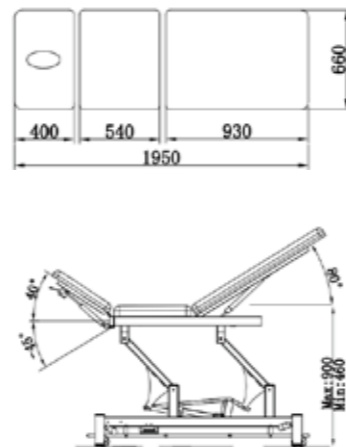


video

Features



- Electric Hi-Lo operation by foot bar
- Sleek design with rounded frame legs for safety
- Head section has face hole and plug
- Adjustable feet for uneven surfaces
- 75mm retractable castors for safety and mobility
- Reliable TiMOTION motor
- Height range from 46cm to 90cm in approx 30 seconds
- Padding thickness 5cm
- Foam Density: 36kg/m³
- Warranty: 5 Years Construction, 3 Years Electrics
- Upholstery: Heavy duty PVC vinyl that is fire, stain, mildew, oil, water and wear resistant
- Certification: CE, FDA, ISO 13485:2016
- Weight Capacity: 250KG



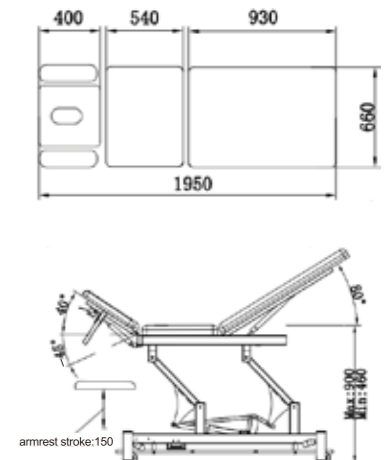
Specification

195cm	66cm	46-90cm	-45° to +40°	0° to +80°	φ 75mm	66kgs	0.71	190 x 70 x 53cm

Features



- Electric Hi-Lo operation by foot bar
- Sleek design with rounded frame legs for safety
- Height adjustable padded armrests
- Head section has face hole and plug
- Height range from 46cm to 90cm in approx 30 seconds
- Adjustable feet for uneven surfaces
- 75mm retractable castors for safety and mobility
- Reliable TiMOTION motor
- Padding thickness 5cm
- Foam Density: 36kg/m³
- Upholstery: Heavy duty PVC vinyl that is fire, stain, mildew, oil, water and wear resistant
- Warranty: 5 Years Construction, 3 Years Electrics
- Certification: CE, FDA, ISO 13485:2016
- Weight Capacity: 250KG



Specification

195cm	66cm	46-90cm	-45° to +40°	0° to +80°	φ 75mm	65kgs	0.73	194 x 70 x 53cm

EL03H

HYDRAULIC TREATMENT TABLE

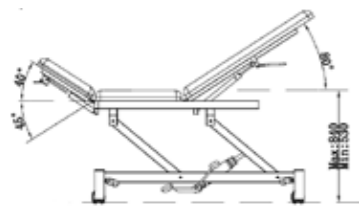
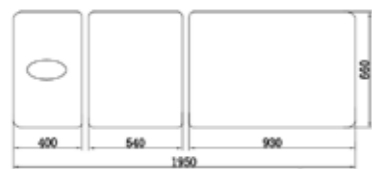
CONFYCARE®



This three-section table has a hydraulic system for raising and lowering to bring Hi-Lo function. This short head table provides a strong platform for treatments. With a gas strut supported head and backrest coupled with a smooth hi-lo operation this table represents great value.

Features

- Smooth Hi-Lo operation by hydraulic
- Sleek design with rounded frame legs for safety
- Head section has face hole and plug
- Height range from 53cm to 84cm
- Adjustable feet for uneven surfaces
- 75mm retractable castors for safety and mobility
- Padding thickness 5cm
- Foam Density: 36kg/m³
- Upholstery: Heavy duty PVC vinyl that is fire, stain, mildew, oil, water and wear resistant
- Warranty: 5 Years Construction, 18 months Hydraulic
- Certification: CE, FDA, ISO 13485:2016
- Weight Capacity: 250KG



Specification



195cm	66cm	53-84cm	-45° to +40°	0° to +80°	φ 75mm	62kgs	0.83	189 x 70 x 62cm

EL03S

ELECTRIC TREATMENT TABLE

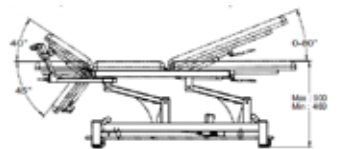
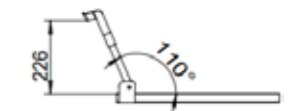
CONFYCARE®



This table is designed for simple examination at gynecology procedures. It suitable for a wide range of treatment and other therapy.

Features

- Electric Hi-Lo operation by foot bar
- Sleek design with rounded frame legs for safety
- Head section has face hole and plug
- Equip with stirrups on both side
- Adjustable feet for uneven surfaces
- 75mm retractable castors for safety and mobility
- Reliable TiMOTION motor
- Height range from 46cm to 90cm in approx 30 seconds
- Padding thickness 5cm
- Foam Density: 36kg/m³
- Warranty: 5 Years Construction, 3 Years Electrics
- Upholstery: Heavy duty PVC vinyl that is fire, stain, mildew, oil, water and wear resistant
- Certification: CE, FDA, ISO 13485:2016
- Weight Capacity: 250KG



Specification



195cm	66cm	46-90cm	-45° to +40°	0° to +80°	φ 75mm	62kgs	0.83	189 x 70 x 62cm

ELO3E

EQUAL ELECTRIC TREATMENT TABLE

CONFYCARE®



Our most popular product this three equal section table with dual gas strut supported sections & smooth hi-lo operation represents great value. Number 1 choice for medical centre for many years.



ELO3EM

EQUAL ELECTRIC TREATMENT TABLE

CONFYCARE®



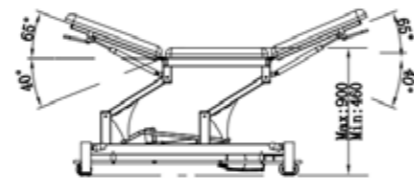
This table is designed for a equal length for each section, suitable for a wide range of treatment and other therapy. It also provides easily adjustable height for head & back section by double gas struts.

Motor lifts the head section

Features



- Electric Hi-Lo operation by foot bar
- Sleek design with rounded frame legs for safety
- Head section has face hole and plug
- Height range from 46cm to 90cm in approx 30 seconds
- Adjustable feet for uneven surfaces
- 75mm retractable castors for safety and mobility
- Reliable TiMOTION motor
- Padding thickness 5cm
- Foam Density: 36kg/m3
- Upholstery: Heavy duty PVC vinyl that is fire, stain, mildew, oil, water and wear resistant
- Warranty: 5 Years Construction, 3 Years Electrics
- Certification: CE, FDA, ISO 13485:2016
- Weight Capacity: 250KG

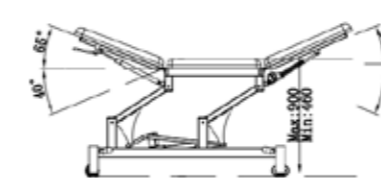
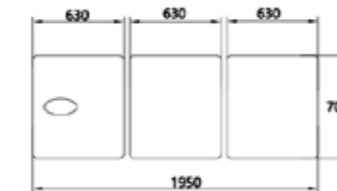


Specification



195cm	70cm	46-90cm	-40° to +65°	-40° to +65°	φ 75mm	62kgs	0.71	186 x 74 x 51cm

Features



- Electric Hi-Lo operation by foot switch
- Sleek design with rounded frame legs for safety
- Head section has face hole and plug
- Height range from 46cm to 90cm in approx 30 seconds
- Adjustable feet for uneven surfaces
- 75mm retractable castors for safety and mobility
- 2 reliable TiMOTION motors
- Padding thickness 5cm
- Foam Density: 36kg/m3
- Upholstery: Heavy duty PVC vinyl that is fire, stain, mildew, oil, water and wear resistant
- Warranty: 5 Years Construction, 3 Years Electrics
- Certification: CE, FDA, ISO 13485:2016
- Weight Capacity: 250KG

Specification



195cm	70cm	46-90cm	40° to +65°	-42° to +70°	φ 75mm	63kgs	0.74	186 x 74 x 54cm

ELO3EM3

EQUAL ALL ELECTRIC TREATMENT TABLE

CONFYCARE®



Motor lifts the head & leg section

This equal all electric treatment table provides a strong and versatile frame and upholstery. This table have very strong and versatile, suitable for a wide range of manual therapy techniques, Various medical procedures, osteopathy, massage and complimentary medicine.

EL05

MULTI-POSITION ELECTRIC TREATMENT TABLE

CONFYCARE®



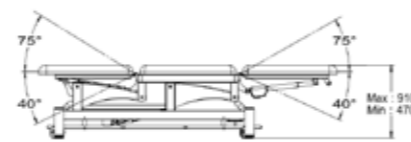
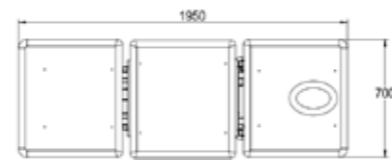
A popular selection for physiotherapists this five section table offers strong smooth electric hi-lo and postural drainage operation through foot switch along with a generous range of motion for the head & backrest. This table will allow correct patient positioning while reducing practitioner strain.



Features



- Electric Hi-Lo operation by foot switch
- Sleek design with rounded frame legs for safety
- Head section has face hole and plug
- Height range from 47-91cm in approx 30 seconds
- Adjustable feet for uneven surfaces
- 75mm retractable castors for safety and mobility
- 3 reliable TiMOTION motors
- Padding thickness 5cm
- Foam Density: 36kg/m³
- Upholstery: Heavy duty PVC vinyl that is fire, stain, mildew, oil, water and wear resistant
- Warranty: 5 Years Construction, 3 Years Electrics
- Certification: CE, FDA, ISO 13485:2016
- Weight Capacity: 250KG



Specification

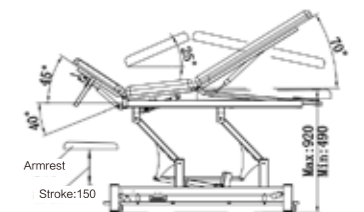
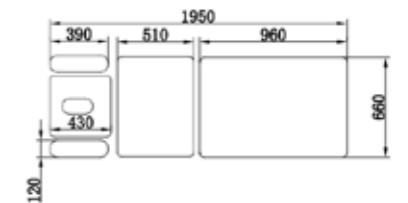


195cm	70cm	47-91 cm	-40° to +75°	-40° to +75°	5cm	71kgs	0.74	186 x 74 x 54cm

Features



- Electric Hi-Lo operation by foot bar
- Electric postural drainage operation by foot switch
- Sleek design with rounded frame legs for safety
- Height adjustable padded armrests
- Head section has face hole and plug
- Adjustable feet for uneven surfaces
- 75mm retractable castors for safety and mobility
- Reliable TiMOTION motor
- Height range from 49cm to 92cm in approx 30 seconds
- Padding thickness 5cm
- Foam Density: 36kg/m³
- Upholstery: Heavy duty PVC vinyl that is fire, stain, mildew, oil, water and wear resistant
- Warranty: 5 Years Construction, 3 Years Electrics
- Certification: CE, FDA, ISO 13485:2016
- Weight Capacity: 250KG



Specification



195cm	66cm	49-92cm	-40° to +45°	0° to +25°	0° to +70°	76kgs	0.81	195 x 70 x 58cm

EL06

SPLIT-LEG ELECTRIC TREATMENT TABLE

Specially designed a split-leg at backrest for more strong function, provides amazing function and stability, with widest choice for user's requirements.



video

CONFYCARE®

EL10

MULTI-POSITION ELECTRIC TREATMENT TABLE

This table has a very strong table designed to withstand constant heavy use with minimal maintenance. It addresses the requirements of a wide range of manual handling issues to benefit both patient and doctor.



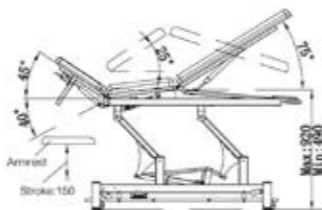
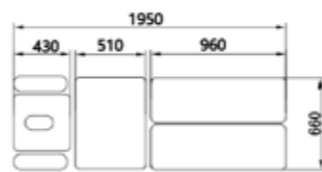
video

CONFYCARE®

Features



- Electric Hi-Lo operation by foot bar
- Electric postural drainage operation by foot switch
- Sleek design with rounded frame legs for safety
- Height adjustable padded armrests
- Head section has face hole and plug
- Adjustable feet for uneven surfaces
- 75mm retractable castors for safety and mobility
- Reliable TIMOTION motor
- Height range from 49cm to 92cm in approx 30 seconds
- Padding thickness 5cm
- Foam Density: 36kg/m³
- Upholstery: Heavy duty PVC vinyl that is fire, stain, mildew, oil, water and wear resistant
- Warranty: 5 Years Construction, 3 Years Electrics
- Certification: CE, FDA, ISO 13485:2016
- Weight Capacity: 250KG



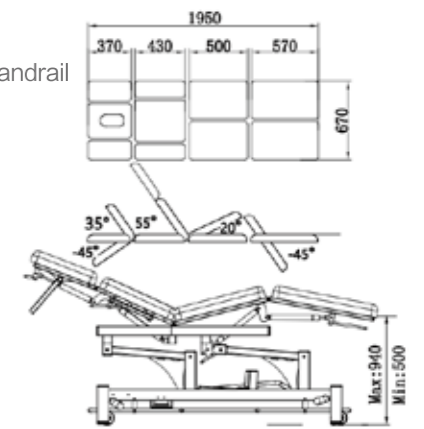
Specification

			Angle of headrest	Angle of chest	Angle of leg plate			Packing size
195cm	66cm	49-92cm	-40° to +45°	0° to +25°	0° to +75°	80kgs	0.81	195 x 70 x 58cm

Features



- Electric Hi-Lo operation by foot bar
- Sleek design with rounded frame legs for safety
- Height adjustable padded armrests and folding side handrail
- Head section has face hole and plug
- Split-leg flexion leg plate
- Adjustable feet for uneven surfaces
- 75mm retractable castors for safety and mobility
- Reliable TIMOTION motor
- Height range from 50-94cm in approx 30 seconds
- Padding thickness 5cm
- Foam Density: 36kg/m³
- Upholstery: Heavy duty PVC vinyl that is fire, stain, mildew, oil, water and wear resistant
- Warranty: 5 Years Construction, 3 Years Electrics
- Certification: CE, FDA, ISO 13485:2016
- Weight Capacity: 250KG



Specification

			Angle of headrest	Angle of backrest	Angle of seat plate	Angle of leg plate			Packing size
195cm	67cm	50-94cm	-45° to +35°	0° to +55°	0° to +20°	0° to -45°	85kgs	0.73	194 x 70 x 53cm

BT001

ELECTRIC DAY SPA TABLE

CONFYCARE®



This electric Hi-Lo table is perfect for use in beauty, day spa and massage. It can be used in numerous comfortable positions with the head and leg section adjusted by gas struts. It has removable padded arm rests on each side that are also height adjustable. The wings next to the head piece are removable for patient comfort in massage allowing them to rest their arms on the prone arm rest.

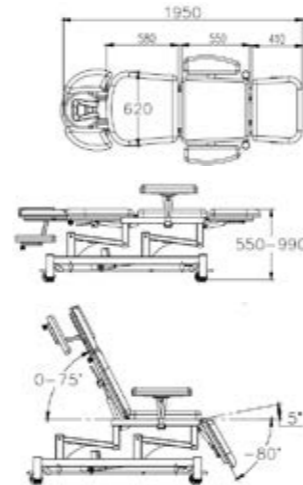


video

Features



- Electric Hi-Lo operation by foot switch
- Luxurious soft and comfortable head cushion
- Sleek design with rounded frame legs for safety
- Removable padded wing armrests
- Padded prone arm rest
- Adjustable feet for uneven surfaces
- 75mm retractable castors for safety and mobility
- Reliable TIMOTION motor
- Height range from 55cm to 99cm in approx 30 seconds
- Padding thickness 75mm
- Foam Density: 36kg/m³
- Upholstery: Heavy duty PVC vinyl that is fire, stain, mildew, oil, water and wear resistant
- Warranty: 5 Years Construction, 3 Years Electrics
- Certification: CE, FDA, ISO 13485:2016
- Weight Capacity: 250KG



Specification



195cm	62cm	55-99cm	0° to +75°	+5° to -80°	φ 75mm	70kgs	0.86	193 x 73 x 61cm

02

Mat & Bobath Table

EL01W	Electric Mat Table	-27-
EL02W	Electric Bobath Table	-28-

EL01W

ELECTRIC MAT TABLE

CONFYCARE®

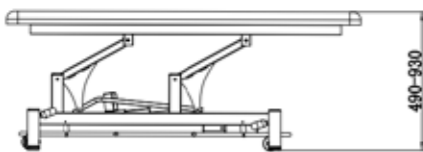
This Hi-Lo Power Mat Therapy Table is a robust treatment table designed to make physical therapies and examinations safe and comfortable for patients of any size.



video

Features

- Electric Hi-Lo operation by foot bar
- Sleek design with rounded frame legs for safety
- Head section has three face holes and plugs
- Super wide table top 120cm
- Adjustable feet for uneven surfaces
- 75mm retractable castors for safety and mobility
- Reliable TiMOTION motor
- Height range from 49cm to 93cm in approx 30 seconds
- Padding thickness 5cm
- Foam Density: 36kg/m³
- Warranty: 5 Years Construction, 3 Years Electrics
- Upholstery: Heavy duty PVC vinyl that is fire, stain, mildew, oil, water and wear resistant
- Certification: CE, FDA, ISO 13485:2016
- Weight Capacity: 250KG



Specification



190cm	120cm	49-93cm	5cm	36kg/m ³	φ 75mm	96kgs	1.28	195 x 125 x 53cm

EL02W

ELECTRIC BOBATH TABLE

CONFYCARE®

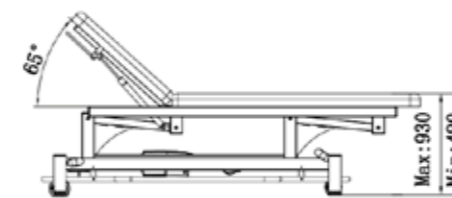
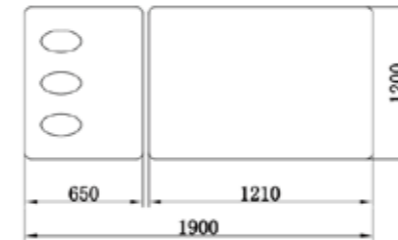
Designed for rehabilitation. This strong two section neurological bobath table has been designed with the therapist in mind. The large table top provides plenty of space for patient and therapist and three nose holes and plugs provides flexibility of treatment.



video

Features

- Electric Hi-Lo operation by foot bar
- Sleek design with rounded frame legs for safety
- Head section has three face holes and plugs
- Super wide table top 120cm
- Adjustable feet for uneven surfaces
- 75mm retractable castors for safety and mobility
- Reliable TiMOTION motor
- Height range from 49cm to 93cm in approx 30 seconds
- Padding thickness 5cm
- Foam Density: 36kg/m³
- Upholstery: Heavy duty PVC vinyl that is fire, stain, mildew, oil, water and wear resistant
- Warranty: 5 Years Construction, 3 Years Electrics
- Certification: CE, FDA, ISO 13485:2016
- Weight Capacity: 250KG



Specification



190cm	120cm	49-93cm	0° to +65°	5cm	φ 75mm	101kgs	1.27	194 x 124 x 53cm



03

Medical Examination Table

EL35	Electric Podiatry Chair	-31-
ELT35	All Electric Ophthalmic Chair	-32-
EL3603	Electric Gynecology Table	-33-
EL3605	Electric Gynecology Table	-34-
EL35B	Electric Blood Chair	-35-

EL35

ELECTRIC PODIATRY CHAIR

CONFYCARE®



A versatile podiatry and multipurpose treatment chair. This strong chair includes many features such as nose hole and plug, flip up armrests & a debris tray to suit the many disciplines of the healthcare and beauty industry.



video

ELT35

ALL ELECTRIC OPHTHALMIC CHAIR

CONFYCARE®



This All Electric Ophthalmic Chair can be used as pedicure chair, eye examination table and so on. It's a multifunctional physiotherapy chair and suitable for a wide range of treatment and other therapy.



Debris tray included

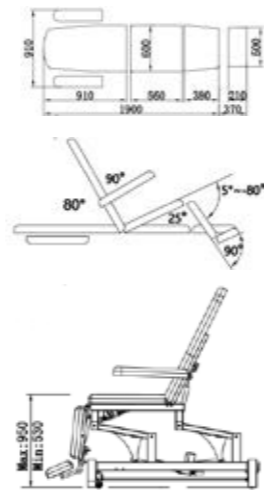


video

Features



- Electric Hi-Lo operation and seat tilt operation by foot switch
- Sleek design with rounded frame legs for safety
- Comfortable flip up armrests
- Padded adjustable footrest
- Head section has face hole and headrest plug
- Debris tray included
- Adjustable feet for uneven surfaces
- 75mm retractable castors for safety and mobility
- Reliable TIMOTION motor
- Height range from 53cm to 95cm in approx 30 seconds
- Padding thickness 5cm
- Foam Density: 36kg/m³
- Upholstery: Heavy duty PVC vinyl that is fire, stain, mildew, oil, water and wear resistant
- Warranty: 5 Years Construction, 3 Years Electrics
- Certification: CE, FDA, ISO 13485:2016
- Weight Capacity: 250KG



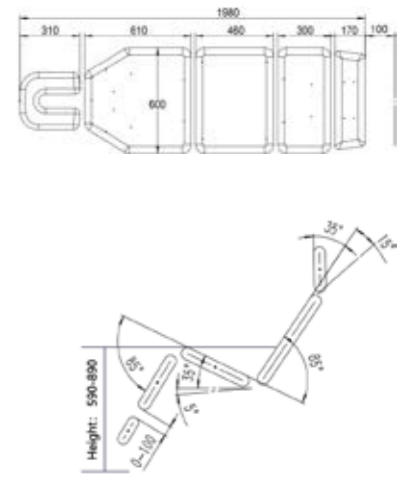
Specification

cm	cm	cm	Angle of backrest	Seat angle	Angle of leg plate	Angle of footrest	kg	m ³	Packing size
190cm	60cm	53-95cm	0° to +80°	0° to +25°	-80° to +5°	0° to +90°	74kgs	0.76	184 x 68 x 60cm

Features



- Electric Hi-Lo operation by foot brake
- Electric angle operation by handle switch
- Luxurious soft and comfortable head cushion
- Contoured comfortable table top and flip up armrests
- Debris tray included
- Sleek design with rounded frame legs for safety
- Removable padded wing armrests
- 75mm retractable castors for safety and mobility
- Reliable column motor
- Height range from 59cm to 89cm in approx 20 seconds
- Padding thickness 75mm
- Foam Density: 36kg/m³
- Upholstery: Heavy duty PVC vinyl that is fire, stain, mildew, oil, water and wear resistant
- Warranty: 5 Years Construction, 3 Years Electrics
- Certification: CE, FDA, ISO 13485:2016
- Weight Capacity: 250KG



Specification

cm	cm	cm	Angle of headrest	Angle of backrest	Angle of seat plate	Angle of leg plate	kg	m ³	Packing size
198cm	60cm	59-89cm	-15° to +35°	0° to +85°	-5° to +35°	0° to +85°	111kgs	0.8	162 x 74 x 67cm

EL3603

ELECTRIC GYNAECOLOGY TABLE

CONFY CARE®



Everything you will need for women's health and general examinations all in one table. This flexible table includes foot pads, stirrups, debris tray, a fill section & nose hole with plug allowing for a multitude of different examinations & treatments. It features a smooth hi-lo adjustment & electric seat tilt with foot switch for optimum manoeuvrability and better patient treatment.



video

EL3605

ELECTRIC GYNAECOLOGY TABLE

CONFY CARE®

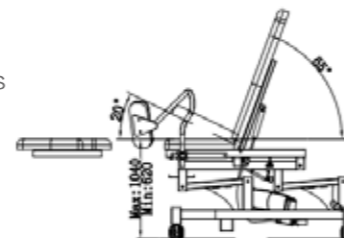
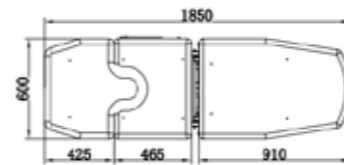


Our premium gynaecology table provides for electric positioning of height & tilt through a foot switch ensuring practitioner comfort. This table has been designed with an additional headrest section transforming to a full length table for most general examinations & minor treatments.

Features



- Electric Hi-Lo operation and Electric seat tilt operation by foot switch
- Sleek design with rounded frame legs for safety
- Foot pads & stirrups both included
- Debris tray & side rails included
- Fill section allowing general use
- Adjustable feet for uneven surfaces
- 75mm retractable castors for safety and mobility
- Reliable TiMOTION motor
- Height range from 62cm to 104cm in approx 30 seconds
- Padding thickness 5cm
- Foam Density: 36kg/m³
- Upholstery: Heavy duty PVC vinyl that is fire, stain, mildew, oil, water and wear resistant
- Warranty: 5 Years Construction, 3 Years Electrics
- Certification: CE, FDA, ISO 13485:2016
- Weight Capacity: 250KG



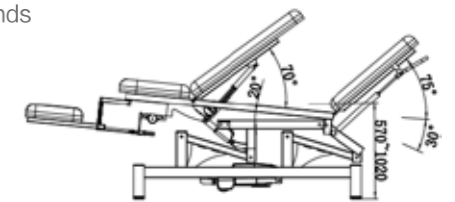
Specification

185cm	60cm	62-104cm	0° to +65°	0° to +20°	φ 75mm	79kgs	0.75	149 x 73 x 69cm

Features



- Electric Hi-Lo operation, Electric seat tilt and backrest tilt operation by foot switch
- Dual gas strut operated headrest
- Debris tray & foot pads
- Sleek design with rounded frame legs for safety
- Adjustable feet for uneven surfaces
- 75mm retractable castors for safety and mobility
- Reliable TiMOTION motor
- Height range from 57cm to 102cm in approx 30 seconds
- Padding thickness 5cm
- Foam Density: 36kg/m³
- Upholstery: Heavy duty PVC vinyl that is fire, stain, mildew, oil, water and wear resistant
- Warranty: 5 Years Construction, 3 Years Electrics
- Certification: CE, FDA, ISO 13485:2016
- Weight Capacity: 250KG



Specification

185cm	70cm	57-102cm	-30° to +75°	0° to +70°	0° to +20°	88kgs	0.89	189 x 74 x 64cm

EL35B

ELECTRIC BLOOD CHAIR

Realization of people-oriented design and original products to meet the donor's sense of security and comfort of donors to alleviate the psychological pressure, blood the whole process easier and enjoyable.

CONFY CARE®



video

04

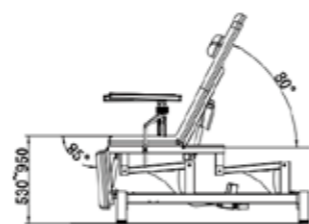
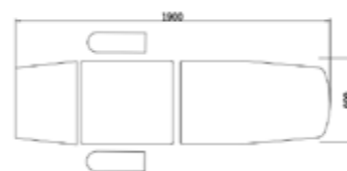
Electric Ultrasound Table

ELT300S Multi-use Imaging Power Table -37-

EL02C Electric Cardiology Table -39-

Features

- Electric Hi-Lo operation by foot bar
- Sleek design with rounded frame legs for safety
- Comfortable flip up armrests
- Removable padded headrest
- Adjustable feet for uneven surfaces
- 75mm retractable castors for safety and mobility
- Reliable TiMOTION motor
- Height range from 53cm to 95cm in approx 30 seconds
- Padding thickness 5cm
- Foam Density: 36kg/m3
- Upholstery: Heavy duty PVC vinyl that is fire, stain, mildew, oil, water and wear resistant
- Warranty: 5 Years Construction, 3 Years Electrics
- Certification: CE, FDA, ISO 13485:2016
- Weight Capacity: 250KG



Specification

cm	cm	cm	Angle of backrest	Angle of leg plate	φ	kg	m ³	Packing size
190cm	60cm	53-95cm	0° to +80°	0° to -85°	φ 75mm	69kgs	0.77	164 x 74 x 64cm

ELT300S

CONFY CARE®

MULTI-USE IMAGING POWER TABLE WITH 3-SECTION TOP

This table is built for the ultrasound work environment. The table provides easier access for cardiac exams, GYN exams, upper extremity vascular exams and interventional procedures.

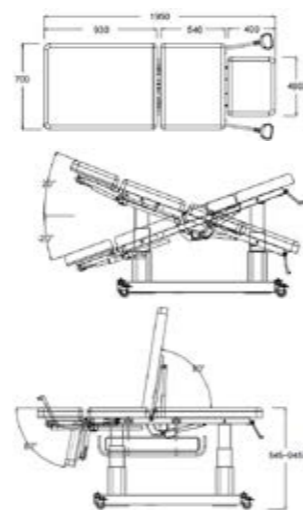


Features

- Electric Hi-lo operation by hand switch, easy to use
- Three-piece top with electric adjustable height, backrest, Trendelenburg & Reverse Trendelenburg, pneumatic adjustable footrest
- Unobstructed base design. All-welded base and top frame
- Trendelenburg/Reverse Trendelenburg plus or minus 20°
- Reliable 2pcs column motors. Dual column lift system adds rigidity
- 3" heavy duty locking casters. Each caster has a brake system
- Reliable TiMOTION motor
- Height range from 54cm to 94cm
- Hi-lo without load: in approx 16 seconds, Hi-lo with 250KGS/550LBS in 27s for higher and 15s for lower
- Option choice of safety rails/stirrups/paper roll holder/paper cutter/Safety Straps
- Upholstery: 3" thickness with high density foam. Heavy duty PVC vinyl that is fire, stain, mildew, oil, water and wear resistant
- Warranty: 5 Years Construction, 3 Years Electrics
- Certification: CE, FDA, ISO 13485:2016
- Weight Capacity: 250KG

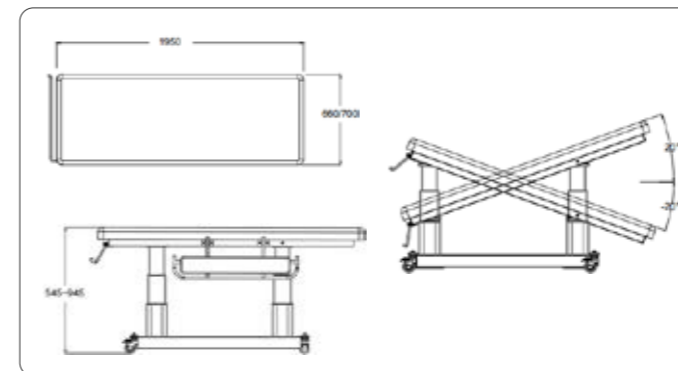
Specification

cm	cm	cm	Angle of backrest	Angle of leg plate	Angle of forward	Angle of backward	kg	m ³	Packing size
195cm	70cm	54-94cm	0° to +80°	0° to +80°	-20° to 0°	0° to +20°	110kgs	1	176 x 78 x 73cm

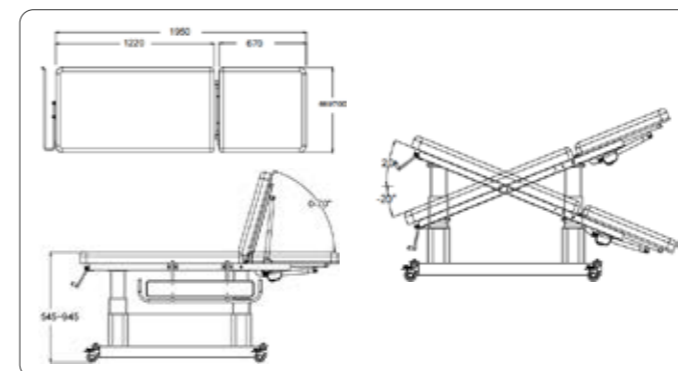


OPTIONS DESIGN

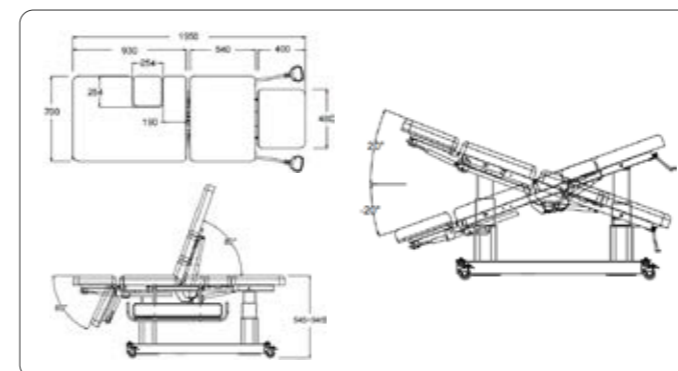
- One-section top



- Two-section top



- Three-section top with drop window
Optional drop window in 254x254mm



CONFY CARE®

ELT100



ELT200



ELT300SD



EL02C

ELECTRIC CARDIOLOGY TABLE

CONFYCARE®

A strong two section cardiology table with comfortable sewn edge upholstery, central lock castors, electric backrest & two special cardiac cut outs allowing increased patient access. With a sleek design, great features and foot switch as standard it is simple to operate straight from the box without any assembly required.



05

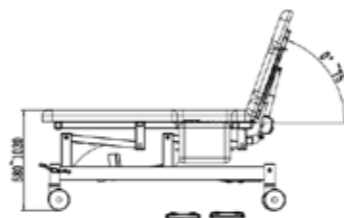
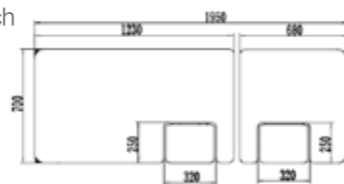
Electric Traction Table

EL04	Electric Traction Table	-41-
ELT042	Electric Traction Table	-42-

Features



- Electric Hi-Lo operation and backrest operation by foot switch
- Electric backrest for effortless operation
- Dual cut outs for easy patient access
- Comfortable sewn edge upholstery
- Sleek design with rounded frame legs for safety
- 125mm central lock castors for safety and mobility
- Reliable TiMOTION motor
- Height range from 58cm to 102cm in approx 30 seconds
- Padding thickness 5cm
- Foam Density: 36kg/m³
- Upholstery: Heavy duty PVC vinyl that is fire, stain, mildew, oil, water and wear resistant
- Warranty: 5 Years Construction, 3 Years Electrics
- Certification: CE, FDA, ISO 13485:2016
- Weight Capacity: 250KG



Specification

2 Motors
 5 YEAR Warranty
 CE Certificate
 250KG Max Loading

cm	cm	cm	size	Angle of backrest	ϕ 125mm	kg	m ³	Packing size
195cm	70cm	58-102cm	32 x 25cm	0° to +75°	ϕ 125mm	62kgs	0.91	199 x 75 x 61cm

ELO4

ELECTRIC TRACTION TABLE

CONFYCARE®



This traction table offers a great solution for static and intermittent lumbar and cervical traction treatments. Including a flexion stool and angle adjustable machine mount. This table is an out of the box solution for many practitioners.



video

ELT042

ELECTRIC TRACTION TABLE

CONFYCARE®



This premium traction table is designed and built with finest materials and finishing quality through modern engineering techniques. Table is sturdy and meet all the criteria to optimize the patients' treatment. Traction table is generally for orthopaedic practitioners.

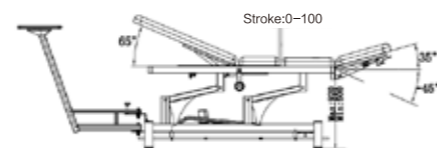
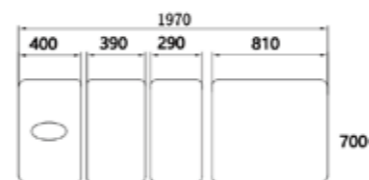


video

Features



- Electric Hi-Lo operation by foot bar
- Sleek design with rounded frame legs for safety
- Head section has face hole and plug
- Upholstered traction stool
- Adjustable feet for uneven surfaces
- 75mm retractable castors for safety and mobility
- Reliable TIMOTION motor
- Max traction of 10cm between second and third sections
- Height range from 50cm to 92cm in approx 30 seconds
- Padding thickness 5cm
- Foam Density: 36kg/m3
- Upholstery: Heavy duty PVC vinyl that is fire, stain, mildew, oil, water and wear resistant
- Warranty: 5 Years Construction, 3 Years Electrics
- Certification: CE, FDA, ISO 13485:2016
- Weight Capacity: 250KG



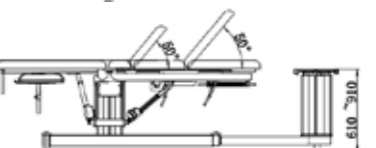
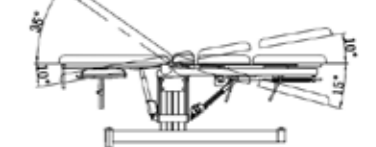
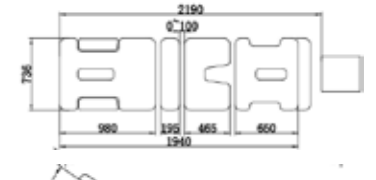
Specification

197cm	70cm	50-92cm	-45° to +35°	0° to +65°	0-10cm	φ 75mm	82kgs	0.85	199x 74 x 58cm

Features



- Electric Hi-Lo operation by handle switch
- Accurate foot brake for safety
- Head section has face hole and plug
- Removable padded wing armrests
- Adjustable traction platform and rope angle
- Universal wheels for safety and mobility
- Reliable column motor
- Max traction of 10cm between the 2nd and 3rd section
- Height range from 65cm to 95cm in approx 30 seconds
- Padding thickness 5cm
- Foam Density: 36kg/m3
- Upholstery: Heavy duty PVC vinyl that is fire, stain, mildew, oil, water and wear resistant
- Warranty: 5 Years Construction, 3 Years Electrics
- Certification: CE, FDA, ISO 13485:2016
- Weight Capacity: 250KG



Specification

194cm	73.6cm	65-95cm	61-91cm	-10° to +35°	-15° to +10°	0° to +50°	0° to +50°	1.1	199 x 74 x 75cm



06

Electric Tilt Table

EL12	Electric Hi-Lo & Tilt Table	-45-
EL12C	Electric Child Tilt Table	-46-
EL12D	Electric Tilt Table	-47-
EL12M	Electric Dynamic Tilt Table	-48-

EL12

ELECTRIC HI-LO & TILT TABLE

CONFYCARE®



Our tilt table offers a simple out of the box solution for physiotherapists and in home care patients alike. This two section tilt table including patient straps, activity tray and individually adjustable foot plates will suit the most demanding rehabilitation regime and perform for the long term.



video

EL12C

ELECTRIC CHILD TILT TABLE

CONFYCARE®



Specifically designed to cater for children of all ages through to young adults, these variable height child tilt tables feature dual leg fixation and a wide foot board with fixation facility for securing the feet.

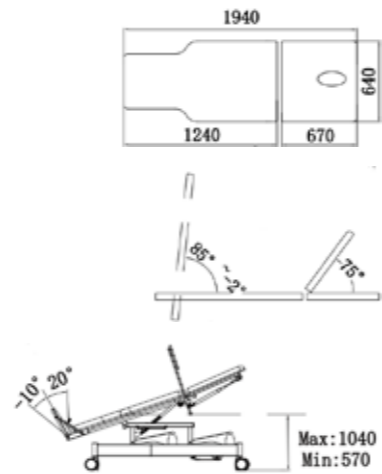


video

Features



- Electric Hi-Lo & tilt operation by handle switch
- Tilt angle inclinators included
- Activity tray & patient straps included
- Head section has face hole and plug
- Sleek design with rounded frame legs for safety
- Ground brake for uneven surfaces
- 125mm retractable castors for safety and mobility
- Reliable TiMOTION motor
- Height range from 57cm to 104cm
- Padding thickness 5cm
- Foam Density: 36kg/m³
- Upholstery: Heavy duty PVC vinyl that is fire, stain, mildew, oil, water and wear resistant
- Warranty: 5 Years Construction, 3 Years Electrics
- Certification: CE, FDA, ISO 13485:2016
- Weight Capacity: 250KG



Max: 1040
Min: 570



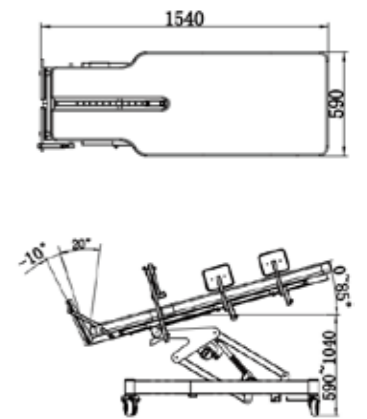
Specification

194cm	64cm	57-104cm	0° to +75°	-2° to +85°	+20° to -10°	φ 125mm	110kgs	0.8	208 x 90 x 64cm

Features



- Electric Hi-Lo & tilt operation by handle switch
- Tilt angle inclinators included
- Activity tray & patient straps included
- Head, waist and knee fasteners included
- Crotch support for height adjustment
- Sleek design with rounded frame legs for safety
- 125mm retractable castors for safety and mobility
- Reliable TiMOTION motor
- Height range from 59cm to 104cm
- Padding thickness 5cm
- Foam Density: 36kg/m³
- Upholstery: Heavy duty PVC vinyl that is fire, stain, mildew, oil, water and wear resistant
- Warranty: 5 Years Construction, 3 Years Electrics
- Certification: CE, FDA, ISO 13485:2016
- Weight Capacity: 250KG



Specification

154cm	59cm	59-104cm	0° to +85°	+20° to -10°	φ 125mm	87kgs	0.69	162 x 82 x 51cm

EL12D

ELECTRIC TILT TABLE

CONFYCARE®

Electric Tilt Table mainly used in the nervous system out of control caused by weakness, pain, spasm of patients, auxiliary training to rehabilitation purposes.



video

EL12M

ELECTRIC DYNAMIC TILT TABLE (not including software)

CONFYCARE®

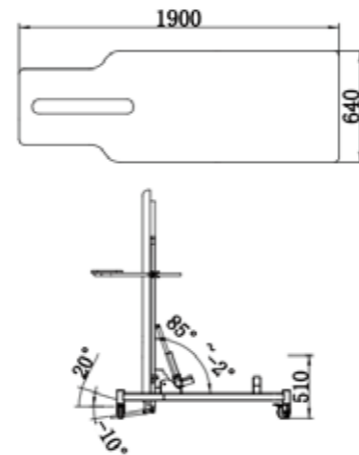
Dynamic Tilt Table is available in a range of configurations to optimize patient care and outcomes, for functional rehabilitation of handicapped or disabled patients and in cardiac assessments.



video

Features

- Electric tilt operation by handle switch
- Tilt angle inclinator included
- Activity tray & patient straps included
- Sleek design with rounded frame legs for safety
- 125mm retractable castors for safety and mobility
- Accessories: adjustable belts (3pcs), adjustable foot plate, active table adjustable
- Reliable TiMOTION motor
- Padding thickness 5cm
- Foam Density: 36kg/m3
- Upholstery: Heavy duty PVC vinyl that is fire, stain, mildew, oil, water and wear resistant
- Warranty: 5 Years Construction, 3 Years Electrics
- Certification: CE, FDA, ISO 13485:2016
- Weight Capacity: 250KG

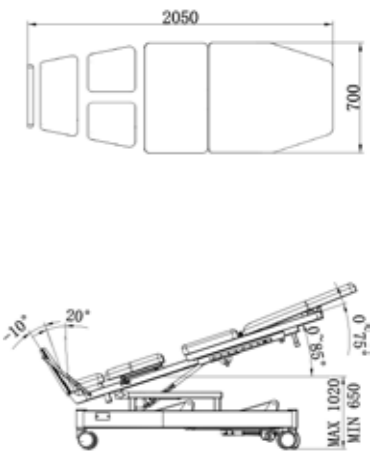


Specification

Length	Width	Height	Angle of tilting	Angle of footrest	Padding thickness	Castor	Weight	Volume	Packing size
190cm	64cm	51cm	-2° to +85°	0° to +20°	5cm	φ 125mm	80kgs	1.16	215 x 90 x 60cm

Features

- Electric Hi-Lo & tilt operation by handle switch
- Activity tray & patient straps included
- Removable upholstered traction stool & comfortable head cushion
- Optional support rod for software
- Sleek design with rounded frame legs for safety
- 125mm retractable castors for safety and mobility
- Reliable TiMOTION motor
- Height range from 65cm to 102cm
- Padding thickness 7cm
- Foam Density: 36kg/m3
- Upholstery: Heavy duty PVC vinyl that is fire, stain, mildew, oil, water and wear resistant
- Warranty: 5 Years Construction, 3 Years Electrics
- Certification: CE, FDA, ISO 13485:2016
- Weight Capacity: 250KG



Specification

Length	Width	Height	Angle of backrest	Angle of tilting	Angle of footrest	Castor	Weight	Volume	Packing size
205cm	70cm	65-102cm	0° to +75°	0° to +85°	20° to -10°	φ 125mm	162kgs	1.43	195 x 94 x 78cm



07

Electric Chiropractic Table

EL07	Chiropractic Manipulation Table	-51-
EL07B	Manipulation Chiropractic Table	-53-
EL08	Base Chiropractic Table	-54-
EL08B	Chiropractic Breakaway Table	-55-
ELT08F	Premium Chiropractic Table	-56-

EL07

CONFY CARE®

CONFY CARE®

CHIROPRACTIC MANIPULATION TABLE

This Chiropractic Manipulation Table is a versatile table providing flexibility for your practice. Designed for professionals to give mobilization, manipulation, massage and motion treatment. Multi-angle adjustment can provide convenience for rehabilitation physiotherapy. Unique tilt, inverted position and lower waist rotation, making the treatment approach more diversified.



Features

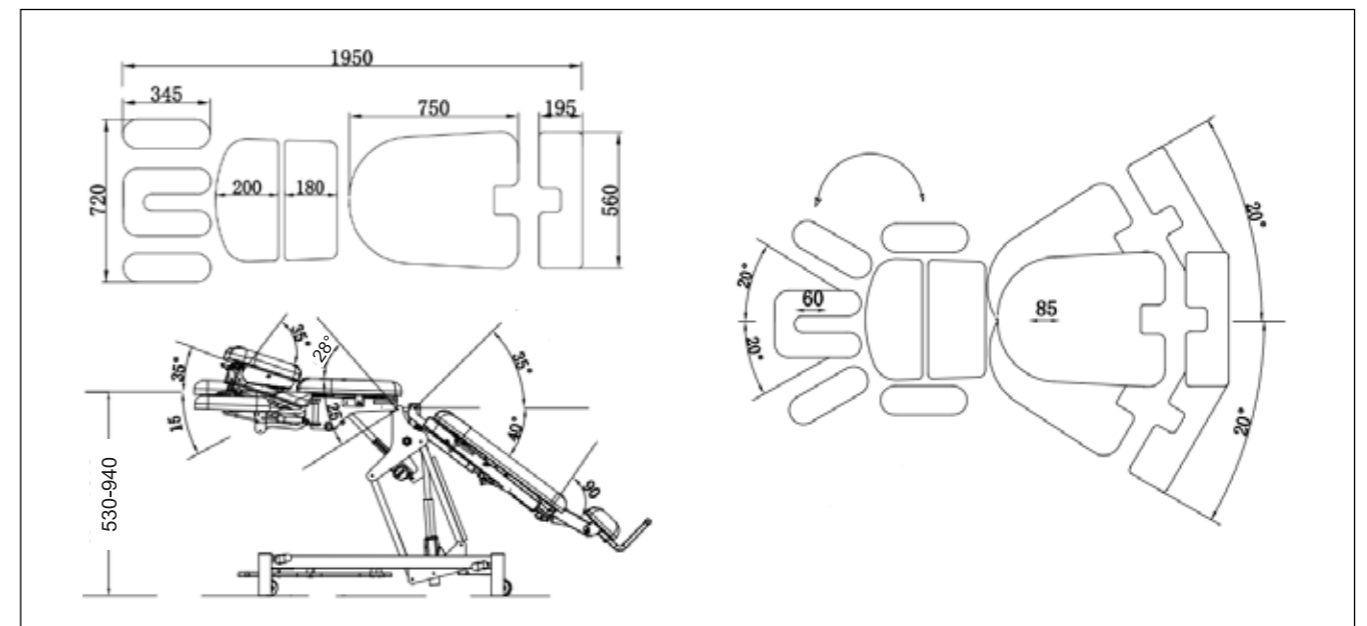
- Electric Hi-Lo operation and adjustment by foot bar&handle switch.
- Comfortable padded armrests
- Pneumatic tilting headrest -15° to +35°
- Extendable padded footrest
- Two drop sections: Cervical, Thoracic
- Sleek design with rounded frame legs for safety
- Adjustable traction tool and can be able to lift up to 250kgs working weight from its lowest height.
- Reliable TiMOTION motor
- Height range from 53cm to 94cm
- Foam thickness 7cm; Foam density: 100kg/m³
- Upholstery: Heavy duty PVC vinyl that is fire, stain, mildew, oil, water and wear resistant
- Warranty: 5 Years Construction, 3 Years Electrics
- Certification: CE, FDA, ISO 13485:2016
- Weight Capacity: 250KG



- Special design of the lower body section can be lowered steplessly down
- 75mm retractable castors for safety and mobility
- This table can be for the waist, neck, shoulders, foot and other parts of the role of adjuvant therapy to do the syndrome.
- Chiropractic table use for orthopedics, rehabilitation, chiropractic, Chinese medicine, sports injury rehabilitation, sub-health studio
- Fire / stain / mildew / oil / water / wear resistant Med PVC

Specification

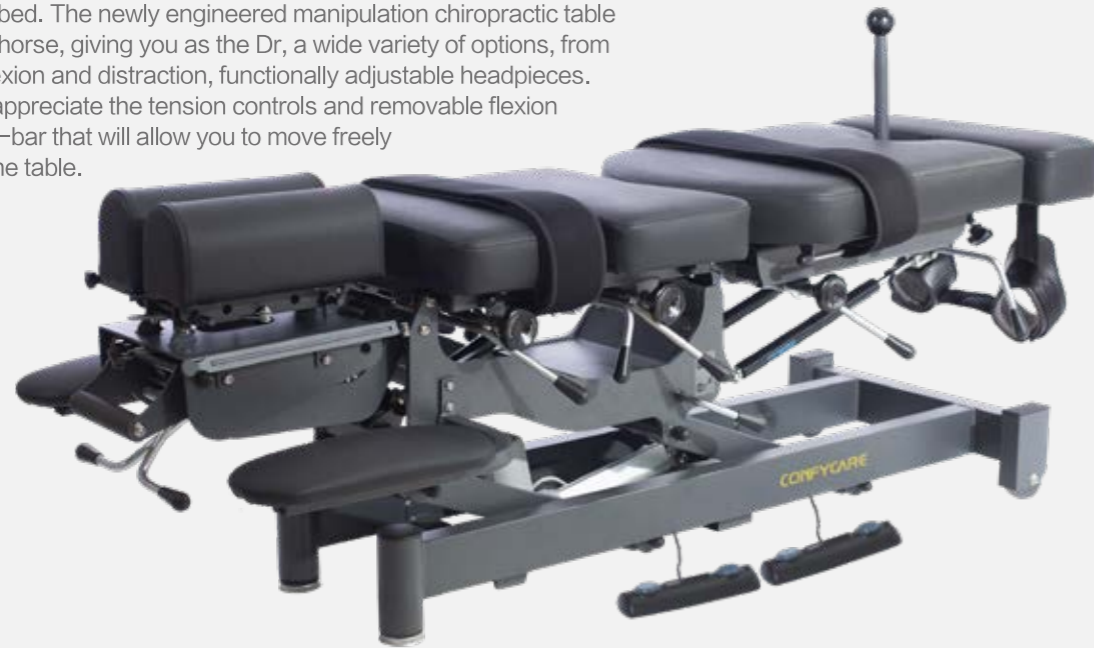
↔ cm	↗ cm	↕ cm	Angle of headrest	Angle of backrest	Angle of lower limb	Angle of footrest	kg	m ³	Packing size
195cm	72cm	53-94cm	-15° to +35°	-25° to +28°	-40° to +35°	0° to +90°	136kgs	1.06	205 x 74 x 70cm



EL07B

MANIPULATION CHIROPRACTIC TABLE

The manipulation chiropractic table is our full house, packed with features bed. The newly engineered manipulation chiropractic table is a workhorse, giving you as the Dr, a wide variety of options, from drops, flexion and distraction, functionally adjustable headpieces. You will appreciate the tension controls and removable flexion control T-bar that will allow you to move freely around the table.



CONFYCARE®

EL08

BASE CHIROPRACTIC TABLE

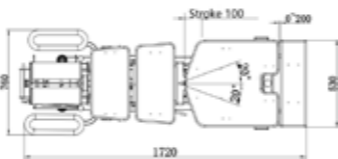
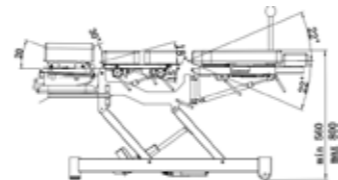
This chiropractic drop table is a versatile cost effective table providing treatment flexibility for your practice. All Cervical, Thoracic, Lumbar & Pelvic drops by hand activation & tension.



CONFYCARE®

Features

- Electric Hi-Lo operation and traction operation by foot switch
- Height and width adjustable padded headrest
- Auxiliary straps included
- Four drop sections: Cervical, Thoracic, Lumbar, Pelvic
- Abdominal breakaway design: chest section can be raised or lowered, making the treatment approach more diversified.
- This table has traction and can be used by people of different heights and be able to lift up to 250kgs working weight from its lowest height.
- Sleek design with two rounded frame legs and two fixed wheels
- Reliable TIMOTION motor; 75mm wheels
- Height range from 56cm to 80cm in approx 30 seconds
- Foam thickness 7cm; Foam density: 100kg/m³
- Upholstery: Heavy duty PVC vinyl that is fire, stain, mildew, oil, water and wear resistant
- Warranty: 5 Years Construction, 3 Years Electrics
- Certification: CE, FDA, ISO 13485:2016
- Weight Capacity: 250KG

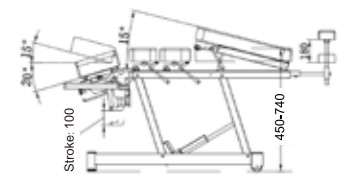
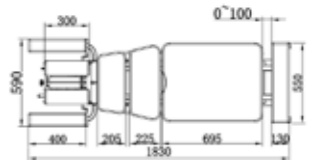


Specification

172cm	53cm	56-80cm	0° to +20°	0° to +30°	-15° to +18°	-22° to +22°	96kgs	1.15	182 x 83 x 76cm

Features

- Electric Hi-Lo operation by foot switch
- Height and width adjustable padded headrest
- Height adjustable & extendable padded footrest
- Four drop sections: Cervical, Thoracic, Lumbar, Pelvic
- Sleek design with two rounded frame legs and two fixed wheels
- Reliable TIMOTION motor
- Height range from 45cm to 74cm in approx 30 seconds
- 75mm wheels
- Foam thickness 7cm
- Foam density: 100kg/m³
- Upholstery: Heavy duty PVC vinyl that is fire, stain, mildew, oil, water and wear resistant
- Warranty: 5 Years Construction, 3 Years Electrics
- Certification: CE, FDA, ISO 13485:2016
- Weight Capacity: 250KG



Specification

183cm	55cm	45-74cm	-20° to +20°	0° to +15°	0-10cm	0-18cm	87kgs	0.64	188 x 67 x 51cm

EL08B

CHIROPRACTIC BREAKAWAY TABLE

CONFYCARE®

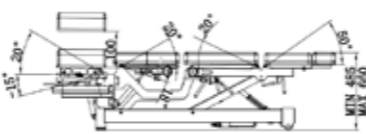
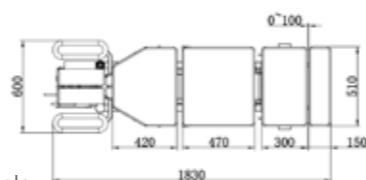
This special chiropractic table use a foot activation to load the manual drops for the adjustment of your patient. Chiropractic drop table use the high-quality durable and easy to clean medical professional PVC leather, provide more comfortable environmental health.



video

Features

- Electric Hi-Lo operation by foot switch
- Height and width adjustable padded headrest
- Extendable padded footrest
- Three drop sections: Cervical, Thoracic, Lumbar
- Abdominal breakaway design: chest section can be raised or lowered, making the treatment approach more diversified.
- Sleek design with two rounded frame legs and two fixed wheels
- Reliable TiMOTION motor
- Height range from 48.5cm to 66cm in approx 30 seconds
- 75mm wheels
- Foam thickness 5cm
- Foam density: 100kg/m³
- Upholstery: Heavy duty PVC vinyl that is fire, stain, mildew, oil, water and wear resistant
- Warranty: 5 Years Construction, 3 Years Electrics
- Certification: CE, FDA, ISO 13485:2016
- Weight Capacity: 250KG



Specification

183cm	51cm	48.5-66cm	-15° to +20°	-18° to +20°	0° to +20°	0° to +50°	92kgs	0.61	192 x 62 x 51cm

ELT08F

PREMIUM CHIROPRACTIC TABLE

CONFYCARE®

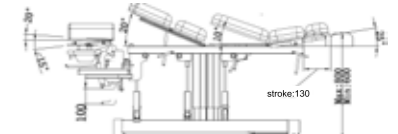
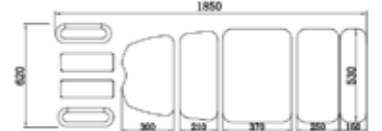
This Chiropractic table is our new premium table. Boasting a premium column lift eliminating any lifting mechanism. All Cervical, Thoracic, Lumbar and Pelvic drops are operated by foot activation with the tension done by hand. This allows easy activation for the practitioner. A premium quality & luxury product.



video

Features

- Electric Hi-Lo operation by foot switch
- Height and width adjustable padded headrest
- Extendable padded footrest
- Luxurious and comfortable table
- Four drop sections: Cervical, Thoracic, Lumbar, Pelvic
- Sleek design with two rounded frame legs and two fixed wheels
- Reliable TiMOTION column motor
- Height range from 60cm to 80cm in approx 23 seconds
- 75mm wheels
- Foam thickness 7cm
- Foam density: 100kg/m³
- Upholstery: Heavy duty PVC vinyl that is fire, stain, mildew, oil, water and wear resistant
- Warranty: 5 Years Construction, 3 Years Electrics
- Certification: CE, FDA, ISO 13485:2016
- Weight Capacity: 250KG



Specification

185cm	53cm	60-80cm	-15° to +20°	0° to +20°	0° to +10°	0° to +25°	136kgs	1.06	205 x 74 x 70cm

Color of Vinyl

Medical Grade Heavy Duty PVC Vinyl



SKY BLUE L033



CHARCOAL GREY L031



NAVY BLUE L019



BLACK L003



CEMENT GREY L032



WHITE L006

Color of Table Frame



Code: 9002

Light grey (standard color)



Code: 5030

White (option)



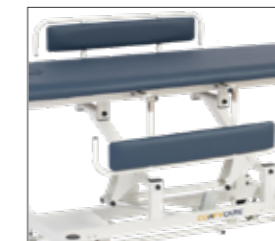
Code: 0096

Dark grey (option)

Optional Accessories



Stainless steel side rails



Padded side rails



Belts



Removable paper roll holder



Safety lock



125mm central lock castors
4PCS/SET



08

Electric Hospital Bed

JF-D39	3 Function Hospital Bed	-61-
JF-D49	5 Function Hospital Bed	-62-
JF-D69Z	6 Function Tilting Hospital Bed	-63-

JF-D39

3 FUNCTION HOSPITAL BED

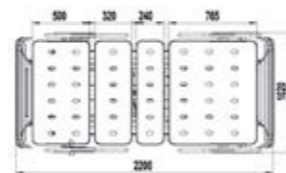
CONFYCARE®

A strong, reliable and high quality three function hospital bed. Well featured including removable boards, removable ABS side rails, drainage bag holders, iv pole & 125mm central lock castors. An ideal product for aged care and hospital facilities.



Features

- Electric operation by handset with integral function lockout
- Electrically operated backrest, height & knee break angle
- Removable head & foot board
- Mattress platform length: 195cm
- Mattress platform width: 90cm
- Four ABS safety side rails
- Four drainage bag holders on both sides
- Heavy duty IV pole
- Auto contour simultaneous adjustment of backrest & knee break
- 125mm heavy duty central locking castors
- 3 reliable TiMOTION motor
- Height range from 44cm to 74cm
- SWL: 250KG
- Warranty: 3 Years
- Certification: CE, FDA, ISO 13485:2016



Specification

Length	Width	Height	Angle of backrest	Angle of knee break	Angle of leg board	Castor	Weight	Volume	Packing size
220cm	102cm	44-74cm	0° to +73°	0° to +30°	0° to +16°	φ 125mm	140kgs	1.6	222 x 113 x 65cm

JF-D49

5 FUNCTION HOSPITAL BED

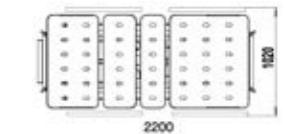
CONFYCARE®

A strong, reliable and high quality five function ICU hospital bed. Well featured including removable boards, removable ABS side rails, drainage bag holders, iv pole & 125mm central lock castors. An ideal product for higher needs patients and longer term patient care.



Features

- Electric operation by handset with integral function lockout
- Electrically operated backrest, height & knee break angle
- Backrest manual CPR release on both sides
- Trendelenburg & reverse trendelenburg: 0° to +13°
- Removable head & foot board
- Patient handset & nurse control panel
- Battery backup
- Four ABS safety side rails
- Four drainage bag holders on both sides
- Heavy duty IV pole
- Auto contour simultaneous adjustment of backrest & knee break
- 125mm heavy duty central locking castors
- 4 reliable TiMOTION motor
- Height range from 44cm to 74cm
- SWL: 250KG
- Warranty: 3 Years
- Certification: CE, FDA, ISO 13485:2016



Specification

Length	Width	Height	Angle of backrest	Angle of knee break	Angle of leg board	Backrest Release	Weight	Volume	Packing size
220cm	102cm	44-74cm	0° to +75°	0° to +35°	0° to +16°	0° to +13°	155kgs	1.6	222 x 113 x 65cm

JF-D69Z

6 FUNCTION TILTING HOSPITAL BED

CONFYCARE®

A strong, reliable and high quality six function tilting ICU hospital bed. Well featured including removable boards, removable ABS side rails, drainage bag holders, IV pole & 125mm central lock castors. An ideal product for high needs patients requiring long term treatment with the tilting function allowing treatment of the nervous system with weakness, pain, muscle spasm, and for auxiliary rehabilitation purposes such as hemiplegia, paraplegia and traumatic brain injury and other severe patients to resume standing training.



video



CONFYCARE®



Features

- Electric operation by handset with integral function lockout
- Electrically operated backrest, height & knee break angle, tilting angle
- Auto contour simultaneous adjustment of backrest & knee break
- Backrest manual CPR release on both sides
- Removable head & foot board
- Trendelenburg & reverse trendelenburg: 0° to +16° & 0° to +13°
- Tilting angle: 0° to +85°
- Mattress platform length: 195cm; Mattress platform width: 90cm
- Patient handset & nurse control panel
- Four ABS safety side rails, height of side rails 350mm
- Four drainage bag holders on both sides
- Durable patient belts; heavy duty IV pole
- 125mm heavy duty central locking castors
- 6 reliable TiMOTION motor
- Warranty: 3 Years
- Certification: CE, FDA, ISO 13485:2016



Specification



cm	cm	cm	Angle of backrest	Angle of knee break	Angle of leg board	°	kg	m ³	Packing size
215cm	110cm	52-76cm	0° to +75°	0° to +35°	0° to +22°	0° to +16° 0° to +13°	195kgs	1.8	219 x 113 x 72cm



Standard handle switch



Standard nurse control panel



Durable patient belts



Foldable ABS side rails panel



Height adjustable IV pole



Removable head & foot board



Standard battery backup board



Real-time angle display



Manual emergency release



Manual CPR release



Central brake system

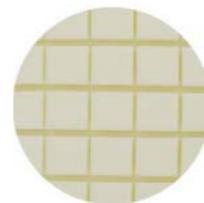


Strong ground brake



Ground clearance 14cm

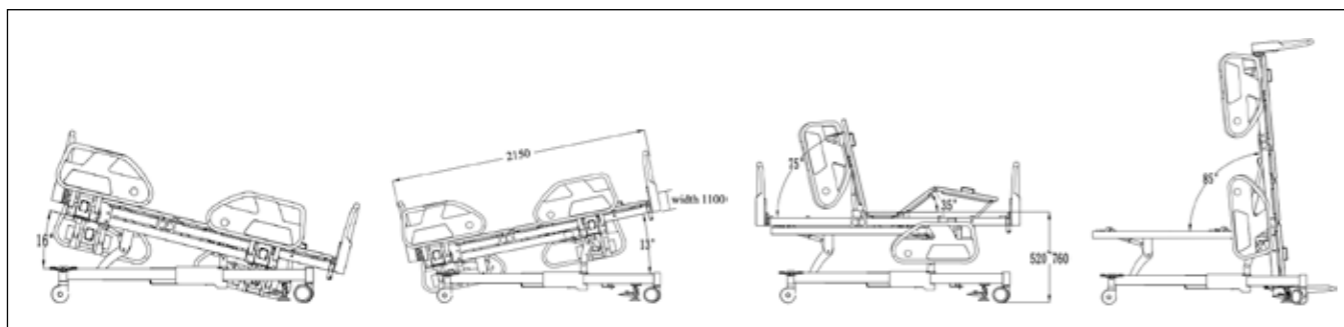
- High density waterproof and mould proof mattress with PU cover
- ABS plastic bottom chassis and central brake system
- Multi-segment free adjustment of the body to achieve CPR, semi-recumbent, sitting, upright
- Standard battery backup
- Guardrails can be moved up & down and can continue to work for more than 15 minutes without power
- Linear motors with min IPX4 protection for quiet operation
- Voltage in 100-240V, 50/60Hz
- Current in Max 3.15A
- Duty rating 10% max, 2mins of continuous use followed by 18mins not in use
- Safety standards BS EN 60601-1:2006 BS EN 60601-2-52:2010
- EMC BS EN 60601-1-2:2002



Hospital Bed Mattress

Waterproof PU cover
(50+32+24+77)*90*10cm
Dried bean curd shaped foam
10cm & 15cm thickness optional

Dimension



Strong Load Bearing Ground Brake



When the ground brake is bearing, the front wheel is not stressed.



When the ground brake is released, the front wheel is stressed.



09

Fixed Examination Table

FIX-MT2	Free Standing Treatment Table	-68-
FIX-MT2D3	Free Standing Treatment Table With Drawers	-68-
FIX-MT4	Fixed Examination Table	-69-
CFAL04F	Aluminum Portable Massage Table	-69-
CFAL05F	Aluminum Portable Massage Table	-70-
CFMC03A	Portable Massage Chair	-70-

CONFYCARE®

FIX-MT2

FREE STANDING TREATMENT TABLE

Our free standing treatment table is the workhorse of any clinic. Flat packed with a two minute assembly and available in a number of colors choices with and without face hole this table is a popular choice.



Length: 195cm
 Width: 70cm
 Height: 70cm
 Foam thickness: 5cm
 Backrest angle: 0° to 75°



FIX-MT2D3

FREE STANDING TREATMENT TABLE WITH DRAWERS

This three drawer free standing treatment table is the workhorse of any clinic. Flat packed with a simple & quick assembly this table is a popular choice.



Length: 195cm
 Width: 70cm
 Height: 70cm
 Foam thickness: 5cm
 Backrest angle: 0° to 75°
 Drawer: 3pcs



FIX-MT4

CONFYCARE®

FIXED EXAMINATION TABLE

This table is perfect for spinal adjustments and other treatments of the musculoskeletal system, and designed with a high strength. Hight grey power-coated steel frame, deluxe PU vinyl and high density foam offer superior comfort.



Length: 180cm
Width: 65cm
Height: 60cm
Foam thickness: 5cm



CFAL05F

CONFYCARE®

ALUMINUM PORTABLE MASSAGE TABLE

Aluminium framed portable massage table with an auto lock cabling system, rounded corners and a multi density 5cm foam system. A great choice for mobile practitioners.



Length: 185cm
Width: 66cm
Height: 65-80cm
Folded size: 93x67x17cm
Weight capacity: 220kg



CFAL04F

ALUMINUM PORTABLE MASSAGE TABLE

This table is provided with enough aluminum material for enough strong using. It is a portable folding massage table. It requires no tools for assembly and folds up easily.



Length: 185cm
Width: 70cm
Height: 63-84cm
Foam thickness: 5cm
Folded size: 93x71x22cm



CFMC03A

PORTABLE MASSAGE CHAIR

Perfect for on the go practitioners our strong & luxurious portable massage chair requires no tools for assembly and folds up easily.



Open size: 54x76x120-127cm
Folded size: 54x29x118cm
Weight capacity: 180kg



10

Medical Stool

MA03	Round Stool	-72-
MA04	Saddle Stool	-72-
MA07	Saddle Stool with Foot Rest	-72-
MA08	Round Stool with Foot Rest	-72-
MA13BR	Round Stool with Backrest	-74-
MA14BR	Saddle Stool with Backrest	-74-
MA15AR	Round Stool with Armrest	-74-
SST	Stainless Steel Single Step	-75-
DST	Stainless Steel Double Step	-75-

MA03

ROUND STOOL

A great value round stool suitable for many applications and practices.

Adjustable height: 49–63cm
Cushion diameter: 35cm
Foam thickness: 6cm
Weight capacity: 160kg



video



MA04

CONFYCARE®

SADDLE STOOL

A great value saddle stool suitable for many applications and practices.

Adjustable height: 49–63cm
Cushion diameter: 35cm
Foam thickness: 6cm
Weight capacity: 160kg



video



MA07

SADDLE STOOL WITH FOOT REST

A premium saddle stool with a height adjustable foot ring and strong base.

Adjustable height: 49–63cm
Cushion diameter: 35cm
Foam thickness: 6cm
Base: 56cm
Weight capacity: 160kg
Adjustable height foot ring



video



MA08

ROUND STOOL WITH FOOT REST

A premium round stool with a height adjustable foot ring and strong base.

Adjustable height: 49–63cm
Cushion diameter: 35cm
Base: 56cm
Foam thickness: 6cm
Weight capacity: 160kg
Adjustable height foot ring



video



New Range Medical Stools



Round Stool with Backrest

The round stool with backrest features a padded seat/backrest upholstered with premium grade fire retardant vinyl and memory foam for extra comfort.

Specification

Seat height	47-63cm
Five star feet diameter	58cm
Height of backrest	26-39cm
Front & back angle of backrest	90° -115°
Cushion diameter	40cm

MA13BR



Saddle Stool with Backrest

The saddle stool is recommended for the following environments: laboratory, hospital, industry, workshop, clean room and healthcare.

Specification

Seat height	47-63cm
Five star feet diameter	58cm
Height of backrest	23-38cm
Front & back angle of backrest	90° -115°
Front & back angle of cushion	0° -10°
Cushion diameter	40x41cm

MA14BR



Round Stool with Armrest

The round stool is equipped with 360 degree rotating armrest, easy to move. Personalized innovative design, movable rotating seat, release leg nerves.

Specification

Seat height	48-64cm
Five star feet diameter	58cm
Height of armrest	23-31cm
Rotation angle of armrest	0-360°
Cushion diameter	40cm

MA15AR



SST

STAINLESS STEEL SINGLE STEP

Perfect for any examination table. This sturdy single step stool is made from 1" stainless steel tubing with reinforced rubber tips & a non slip ribbed rubber platform.



Stainless steel frame
Non-slip ribbed rubber platform
Reinforced rubber tips
Manufactured with 1" steel tubing
Overall size: 455x245x200mm (LxWxH)
Weight capacity: 150KG

CONFYCARE®

11

Medical Accessories

Aluminium Medical Screen	-77-
Stainless Steel Trolley	-78-
Medical ABS Trolley	-78-

DST

STAINLESS STEEL DOUBLE STEP

Perfect for any examination table. This sturdy double step stool is made from 1" stainless steel tubing with reinforced rubber tips & a non slip ribbed rubber platform.



Stainless steel frame
Non-slip ribbed rubber platform
Reinforced rubber tips
Manufactured with 1" steel tubing
Overall size: 400x550x470mm (LxWxH)
First step: 250mm
Second step: 220mm
Weight capacity: 150KG

Aluminium Medical Screen



Meditroll medical screen is made of aluminium alloy and A+ antibacterial plate. It is generally used in hospital wards, playing the role of environmental protection, safety, privacy, pollution resistance, space saving, and sanitation.

Customized size and colors are acceptable

- White
- Blue
- Grey
- Yellow



Stainless Steel Trolley



MT00



Without drawer
Size: 490*490*900mm

MT01



Single drawer
Size: 490*490*900mm

MT02



Double drawer
Size: 490*490*900mm

Three heights available

Specification



Item No.	NUMBER OF FANS	LENGTH (CM)	HEIGHT (CM)	PACKAGE DIMENSION (CM)
YZSC1214	5	120	145	1480*320*125 645*475*185
YZSC1514	6	150	145	1480*320*150 645*475*185
YZSC1814	7	180	145	1480*320*175 645*475*185
YZSC2114	8	210	145	1480*320*200 645*475*185
YZSC1216	5	120	165	1680*320*125 645*475*185
YZSC1516	6	150	165	1680*320*150 645*475*185
YZSC1816	7	180	165	1680*320*175 645*475*185
YZSC2116	8	210	165	1680*320*200 645*475*185
YZSC1218	5	120	185	1880*320*125 645*475*185
YZSC1518	6	150	185	1880*320*150 645*475*185
YZSC1818	7	180	185	1880*320*175 645*475*185
YZSC2118	8	210	185	1880*320*200 645*475*185

ABS Medical Trolley

TRM02



ABS treatment trolley
double drawer
Size: 670*500*900mm

EMG05



ABS emergency trolley
five drawers
Size: 670*500*1000mm

ANS05



ABS anesthesia trolley
five drawers
Size: 670*500*1000mm