

EL11

CONTOURED ELECTRIC TREATMENT TABLE

CONFYCARE®

A comfortable and adjustable table with contoured surface to increase patient access. The flexible padded face rest and prone arm rest ensure patient comfort and relaxation during treatment.



EL11AR



video

EL02

ELECTRIC EXAMINATION TABLE

CONFYCARE®

One of our most popular tables. This strong two section table will withstand the rigours of patient treatment whether it is used in a demanding Physiotherapy clinic or a small GP practice you can rest assured it will perform. With a sleek design, great features and a foot switch as standard it is simple to operate straight from the box without any assembly required.

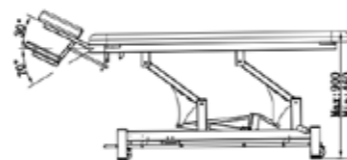
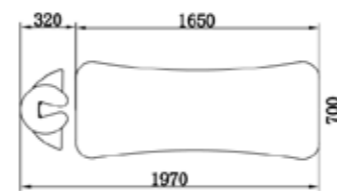


video

Features



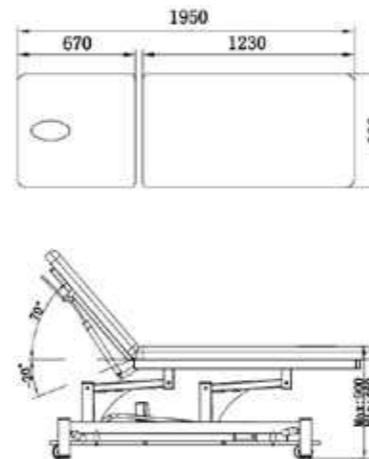
- Electric Hi-Lo operation by foot bar
- Sleek design with rounded frame legs for safety
- Comfortable head cushion with optional prone arm rest
- Adjustable feet for uneven surfaces
- 75mm retractable castors for safety and mobility
- Reliable TiMOTION motor
- Height range from 46cm to 90cm in approx 30 seconds
- Padding thickness 5cm
- Foam Density: 36kg/m3
- Upholstery: Heavy duty PVC vinyl that is fire, stain, mildew, oil, water and wear resistant
- Warranty: 5 Years Construction, 3 Years Electrics
- Certification: CE, FDA, ISO 13485:2016
- Weight Capacity: 250KG



Specification

| | | | | | | | | |
|-------|------|---------|--------------|-----|--------|-------|------|-----------------|
| | | | | | | | | |
| 197cm | 70cm | 46-90cm | -70° to +30° | 5cm | φ 75mm | 62kgs | 0.77 | 193 x 75 x 54cm |

Features



- Electric Hi-Lo operation by foot bar
- Sleek design with rounded frame legs for safety
- Head section has face hole and plug
- Adjustable feet for uneven surfaces
- 75mm retractable castors for safety and mobility
- Reliable TiMOTION motor
- Height range from 46cm to 90cm in approx 30 seconds
- Padding thickness 5cm
- Foam Density: 36kg/m3
- Warranty: 5 Years Construction, 3 Years Electrics
- Upholstery: Heavy duty PVC vinyl that is fire, stain, mildew, oil, water and wear resistant
- Certification: CE, FDA, ISO 13485:2016
- Weight Capacity: 250KG

Specification

| | | | | | | | | |
|-------|------|---------|--------------|-----|--------|-------|------|-----------------|
| | | | | | | | | |
| 195cm | 66cm | 46-90cm | -20° to +70° | 5cm | φ 75mm | 60kgs | 0.75 | 199 x 74 x 51cm |

